

# Art. N30352

CITROËN JUMPY, PEUGEOT EXPERT,  
TOYOTA PROACE

04/16➔

TOYOTA PROACE VERSO

05/16➔

CITROËN SPACE TOURER,  
PEUGEOT TRAVELLER

06/16➔

OPEL VIVARO, OPEL ZAFIRA LIFE

03/19➔

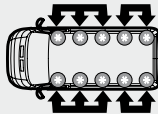


L0 H1

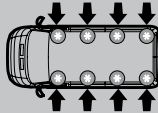
L1 H1

L2 H1

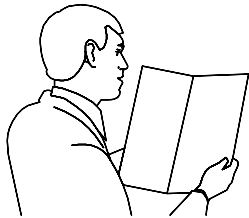
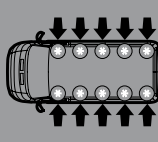
**2** bars = Art. N30352 x 1



**4** bars = Art. N30352 x 2

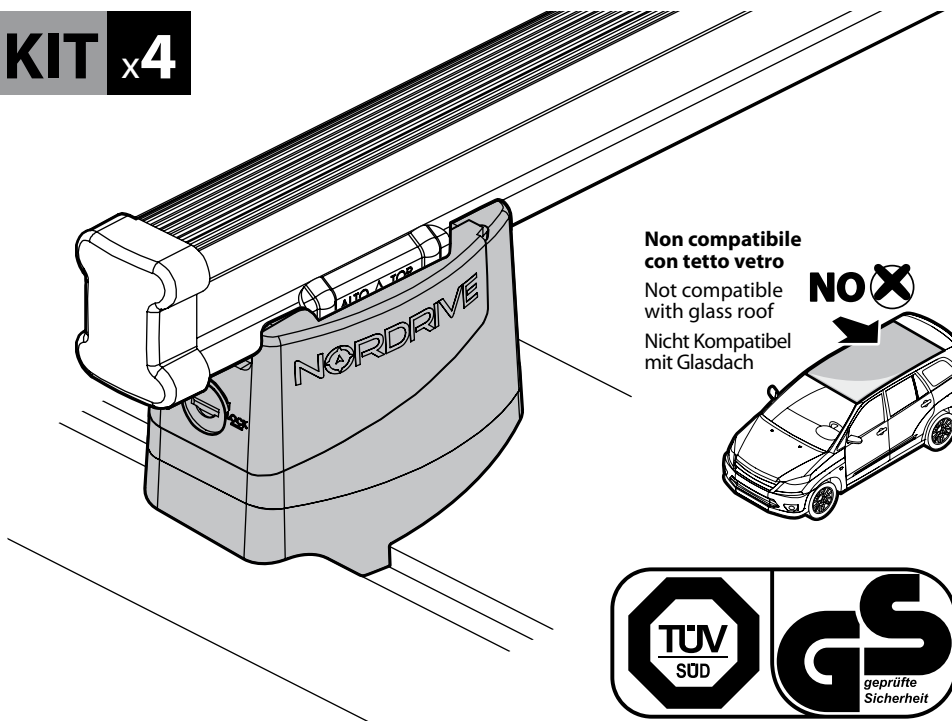


**5** bars = Art. N30352 x 1 + Art. N30353 x 1



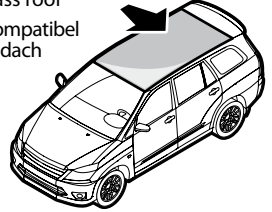
- (I) ISTRUZIONI DI MONTAGGIO
- (GB) FITTING INSTRUCTIONS
- (D) MONTAGEANLEITUNG
- (F) INSTRUCTIONS DE MONTAGE
- (E) INSTRUCCIONES DE MONTAJE
- (P) INSTRUÇÕES DE MONTAGEM
- (NL) MONTAGE-INSTRUCTIES
- (S) MONTERINGSANVISNING
- (FIN) ASENNUSOHJE
- (EST) PAIGALDUSJUHEND
- (AT) STIPRINÁŠANAS INSTRUKCIJA
- (LT) PRITVIRTINIMO INSTRUKCIJOS
- (PL) INSTRUKCJA MONTAŻU
- (RUS) Инструкции по установке
- (CZ) NÁVOD NA MONTÁŽ
- (SK) NÁVOD NA MONTÁŽ
- (SLO) NAVODILA ZA PRITRJEVANJE
- (HR) UPUTA ZA SASTAVLJANJE
- (H) A FELSZERELÉS MÓDJA
- (GR) Οδηγίες συναρμολόγησης
- (TR) MONTAJ TALIMATLARL
- (BG) ИНСТРУКЦИИ ЗА МОНТАЖ
- (SRB) UPUTSTVA ZA MONTAŽU

## KIT x4



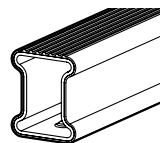
Non compatibile  
con tetto vetro  
Not compatible  
with glass roof  
Nicht Kompatibel  
mit Glasdach

**NO**



- (I) ADATTO PER
- (GB) SUITABLE FOR
- (F) INDIQUÉ POUR
- (D) GEEIGNET FÜR
- (E) ADECUADA PARA

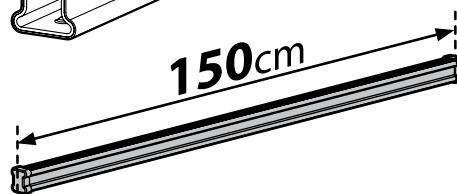
### NORDRIVE KARGO SERIES



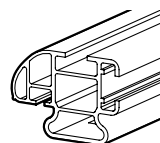
**Kargo**  
ACCIAIO  
Steel

- (I) BARRE KARGO
- (GB) KARGO BARS
- (F) BARRES KARGO
- (D) DACH-LASTENTRÄGER KARGO
- (E) BARRES KARGO

150cm



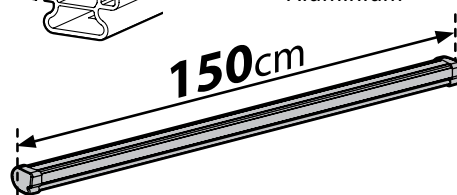
Art. N10010 x2



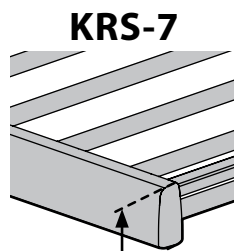
**Kargo-Plus**  
ALLUMINIO  
Aluminium

- (I) BARRE KARGO-PLUS
- (GB) KARGO-PLUS BARS
- (F) BARRES KARGO-PLUS
- (D) DACH-LASTENTRÄGER KARGO-PLUS
- (E) BARRES KARGO-PLUS

150cm

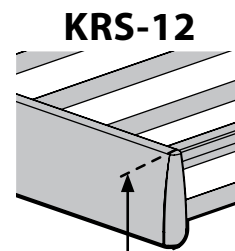


Art. N10040 x2



**KRS-7**

7cm



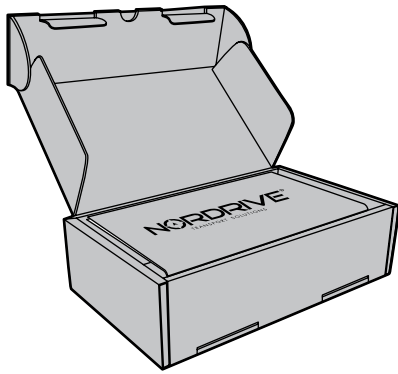
**KRS-12**

12cm

- (I) CESTE PORTATUTTO KRS-7 / KRS-12
- (GB) KRS-7 / KRS-12 VAN ROOF RACKS
- (F) GALERIE KRS-7 / KRS-12
- (D) DACHKÖRBEIN KRS-7 / KRS-12
- (E) BACAS KRS-7 / KRS-12

# NORDRIVE®

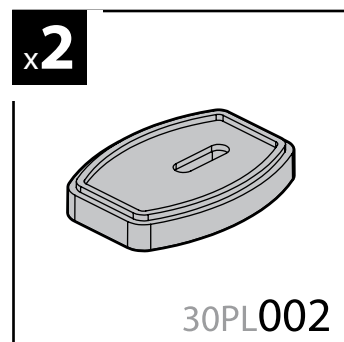
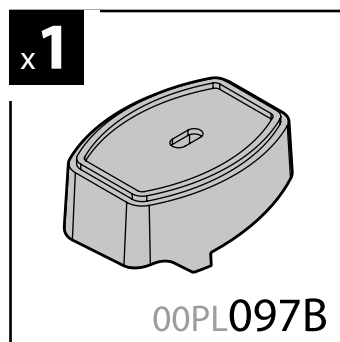
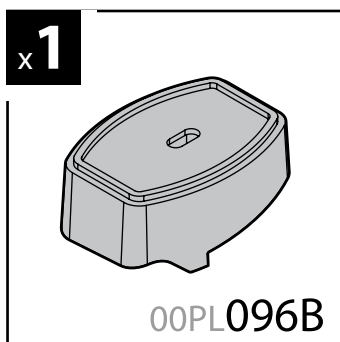
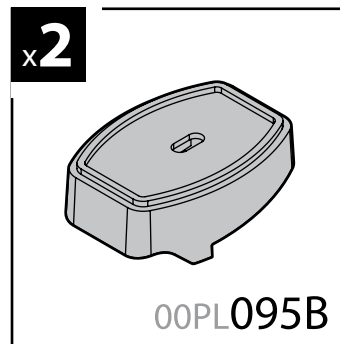
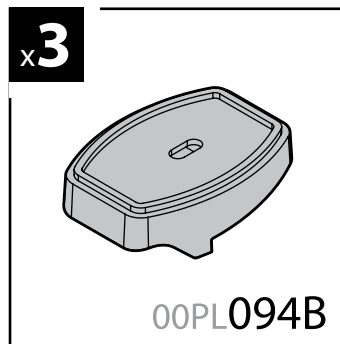
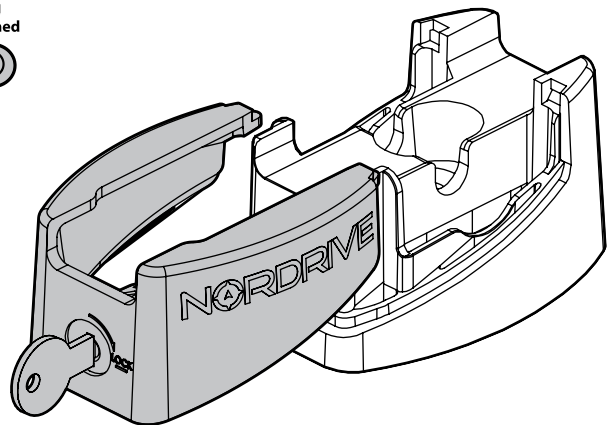
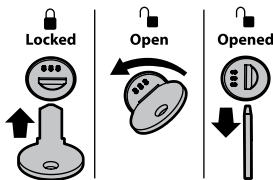
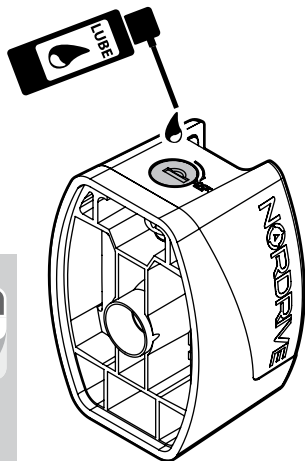
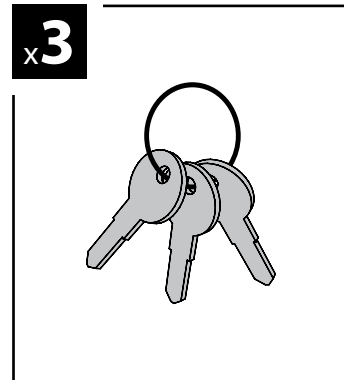
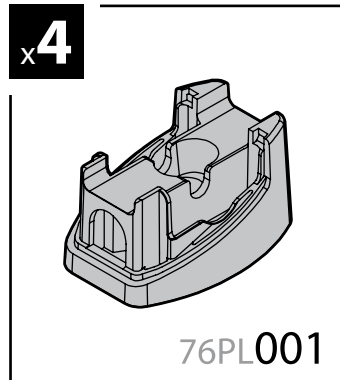
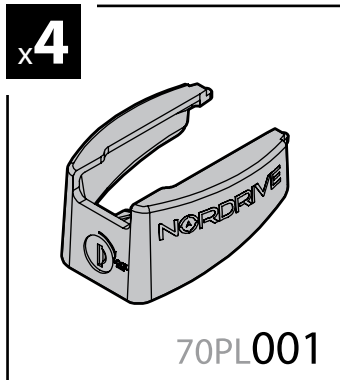
TRANSPORT SOLUTIONS



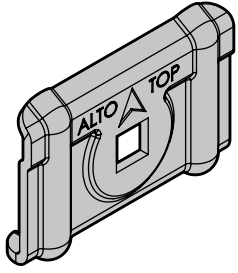
# NORDRIVE®

TRANSPORT SOLUTIONS

Art. **N30352**

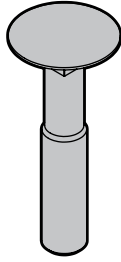


x8



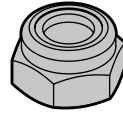
40FE001

x4



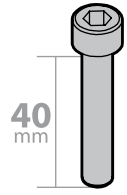
60BQ8045

x4



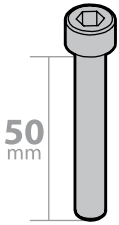
62BB0800

x3



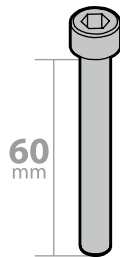
M6x40  
60CE6040

x2



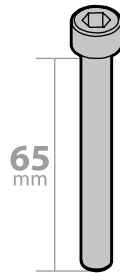
M6x50  
60CE6050

x2



M6x60  
60CE6060

x2



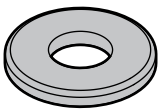
M6x65  
60CE6065

x4



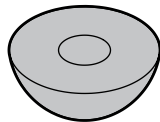
61ED0611

x4



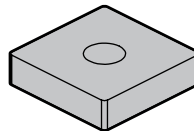
ø6 - ø15  
82FE0001

x4



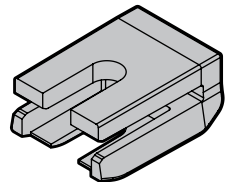
60RO004

x4



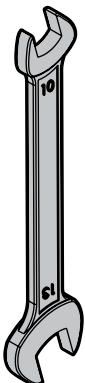
83FE0002

x4



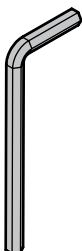
30PL016B

x1

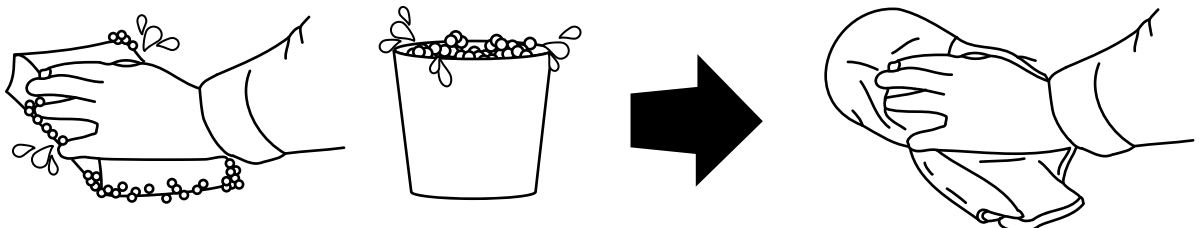
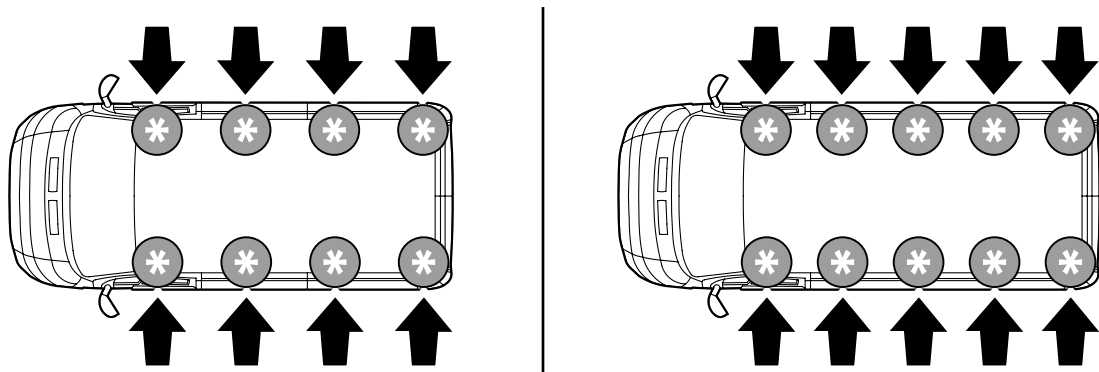
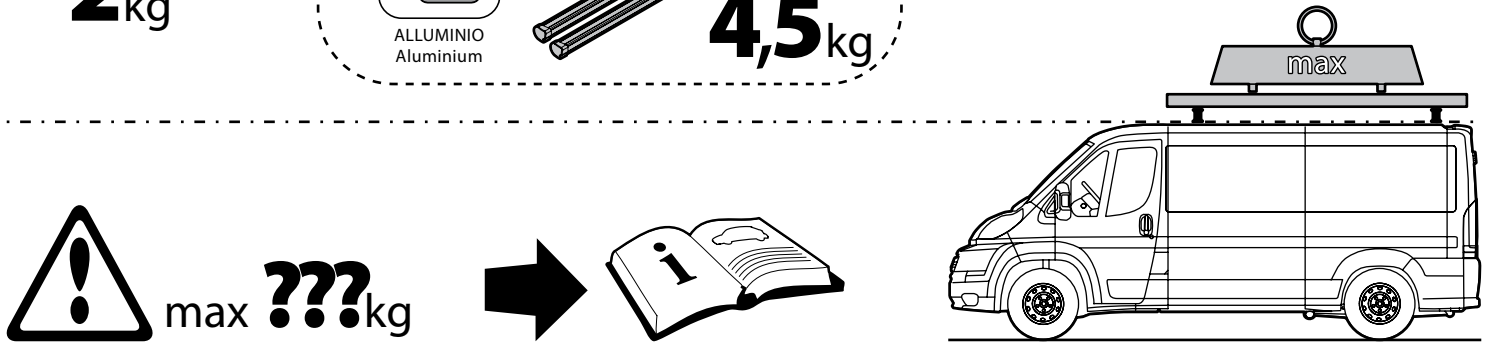
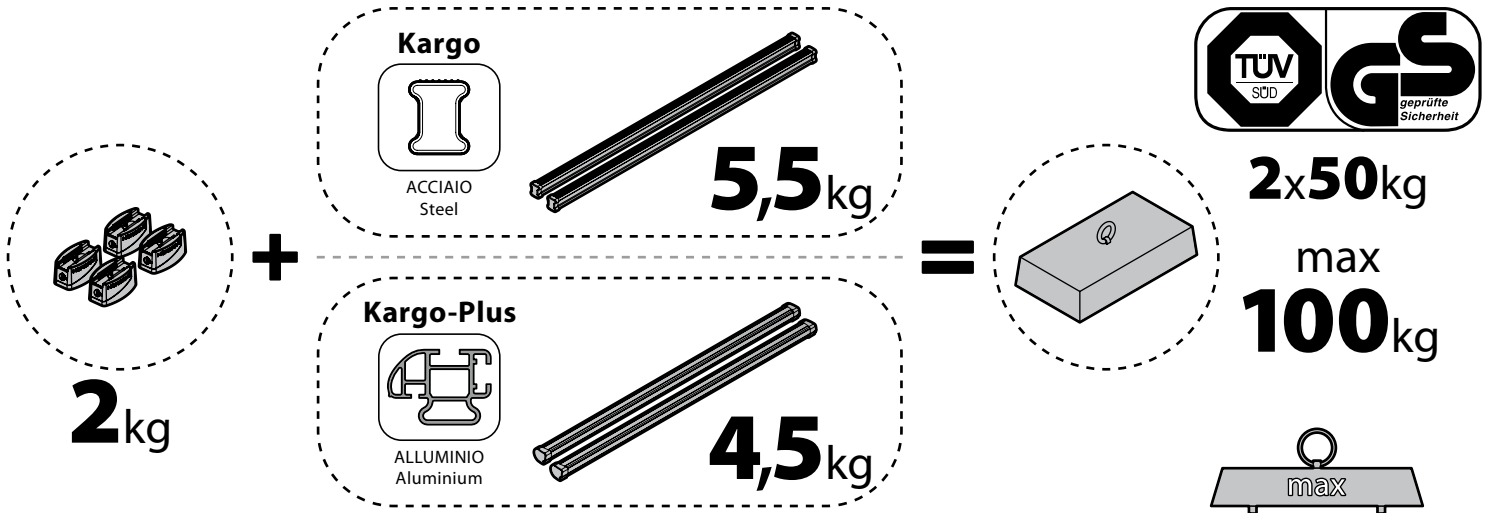


72FE0001

x1



72FE0002





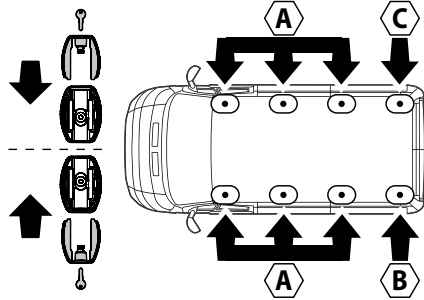
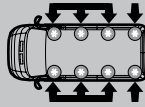
I ISTRUZIONI DI MONTAGGIO  
 GB FITTING INSTRUCTIONS  
 D MONTAGEANLEITUNG  
 F INSTRUCTIONS DE MONTAGE  
 E ISTRUCCIONES DE MONTAJE  
 P INSTRUÇÕES DE MONTAGEM  
 NL MONTAGE-INSTRUCTIES  
 S MONTERINGSANVISNING

FIN ASENNUSOHJE  
 EST PAIGALDUSJUHEND  
 LAT STIPRINĀŠANAS INSTRUKCIJA  
 LT PRITVIRTINIMO INSTRUKCIJOS  
 PL INSTRUKCJA MONTAŻU  
 RUS Инструкции по установке  
 CZ NÁVOD NA MONTÁŽ  
 SK NÁVOD NA MONTÁŽ

SLO NAVODILA ZA PRITRJEVANJE  
 HR UPUTA ZA SASTAVLJANJE  
 H A FELSZERELÉS MÓDJA  
 GR Οδηγία συναρμολόγησης  
 TR MONTAJ TALIMATLARI  
 BG ИНСТРУКЦИИ ЗА МОНТАЖ  
 SRB UPUTSTVA ZA MONTAŽU

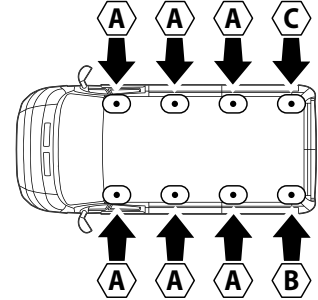
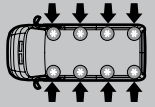
1

**2** = Art. N30352 x **1**  
 bars



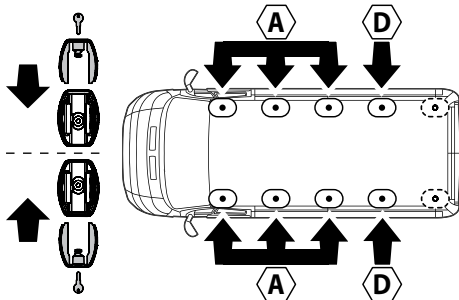
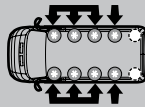
✓ L0 H1

**4** = Art. N30352 x **2**  
 bars



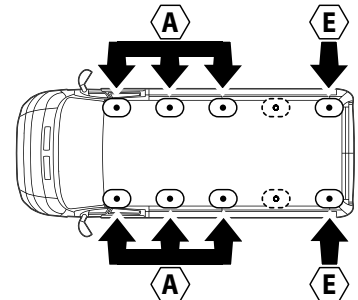
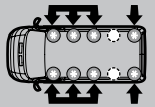
✓ L1 H1

**2** = Art. N30352 x **1**  
 bars



✓ L1 H1

**2** = Art. N30352 x **1**  
 bars

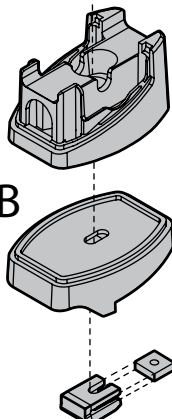


2 **A**



M6x40

00PL094B

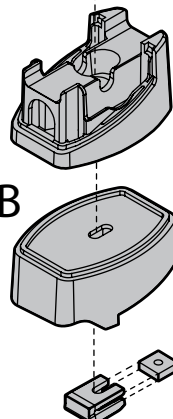


2 **B**



M6x60

00PL097B

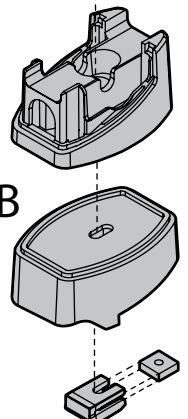


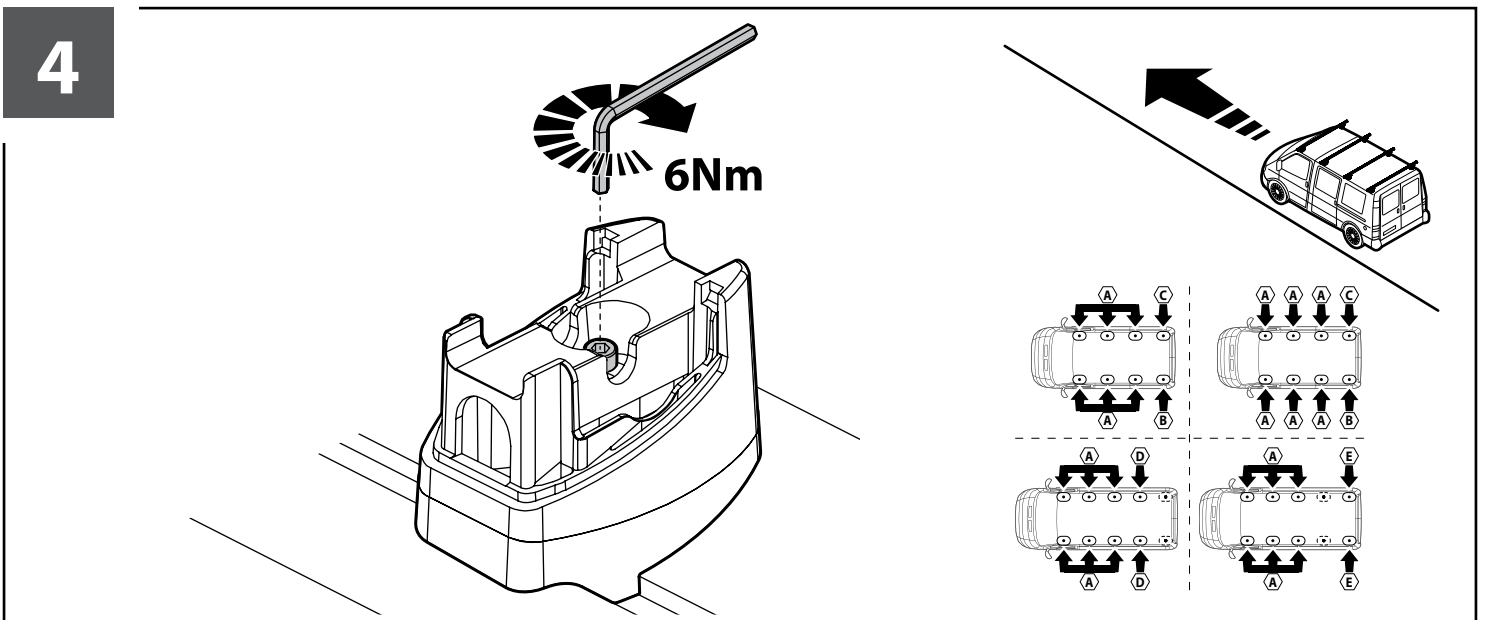
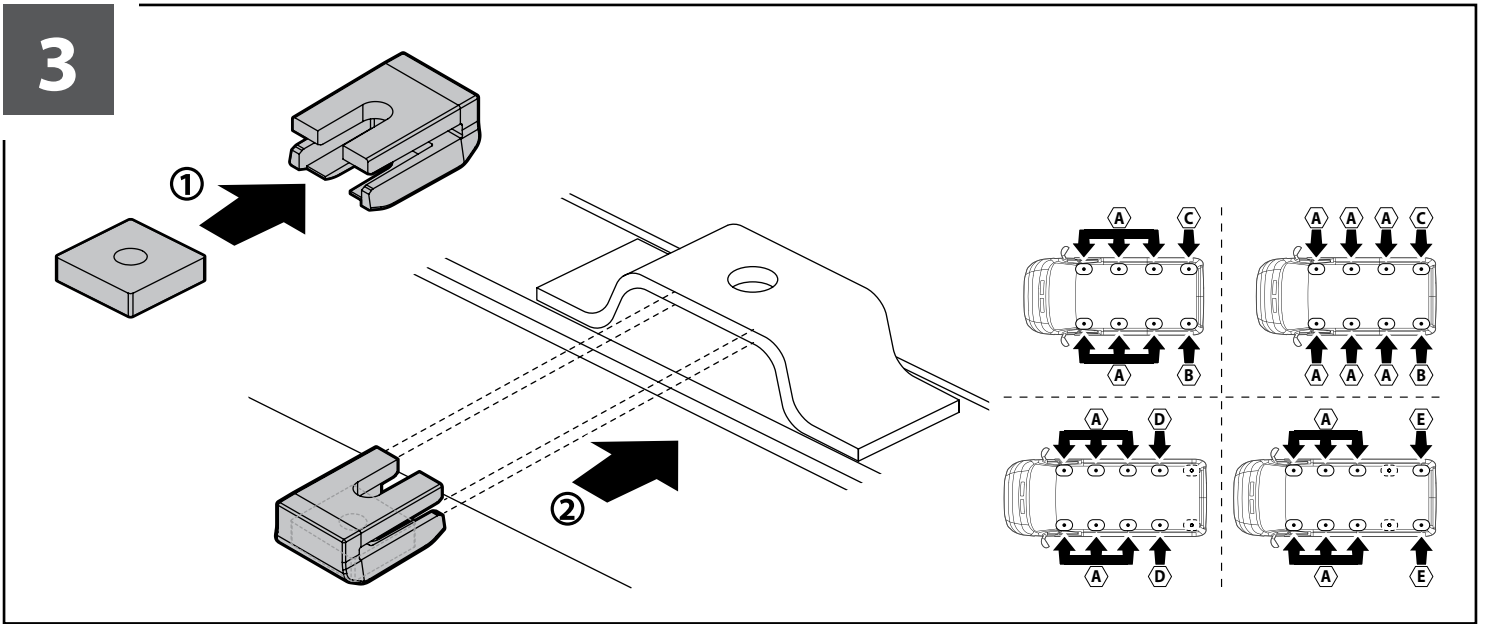
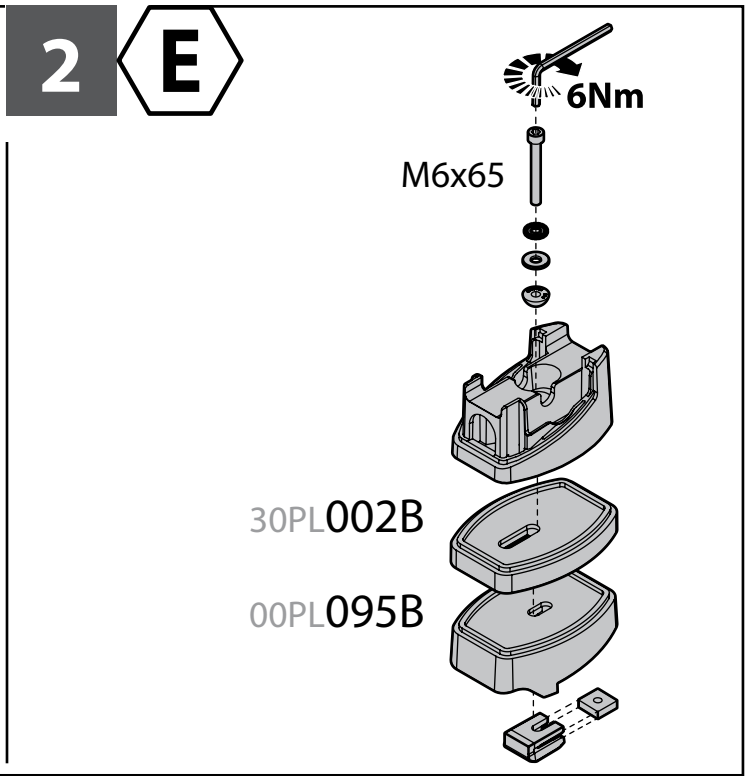
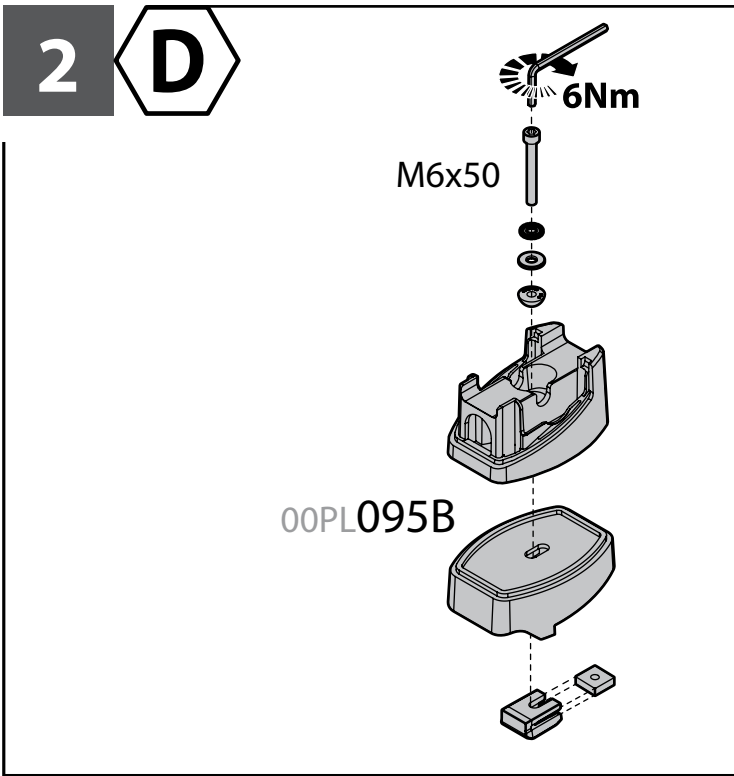
2 **C**



M6x60

00PL096B





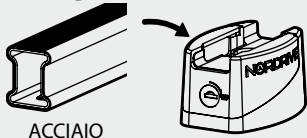


# ATTENZIONE WARNING



## A

### Kargo

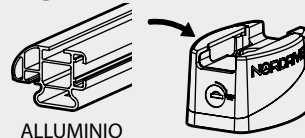


ACCIAIO  
Steel

MONTAGGIO DIRETTO  
SUI KIT PIEDI SPECIFICI  
DIRECTLY ON FOOT KITS  
BEFESTIGUNGSFÜSSE

## B

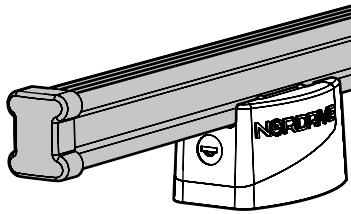
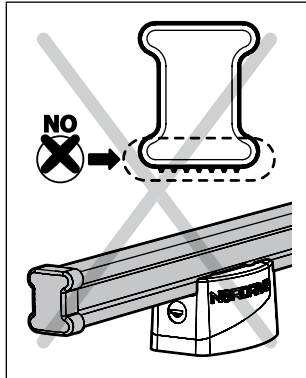
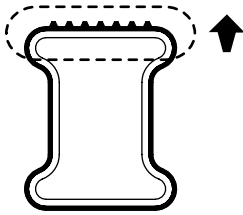
### Kargo-Plus



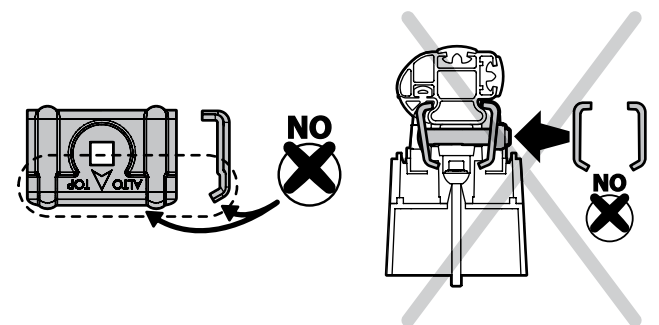
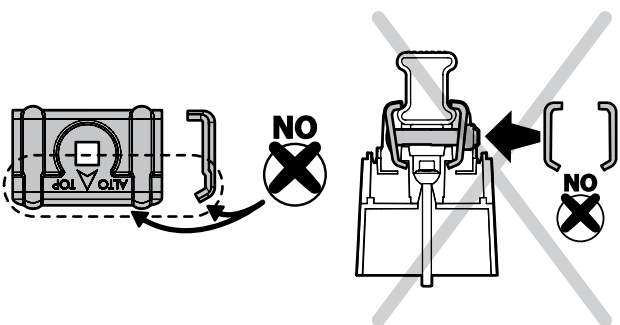
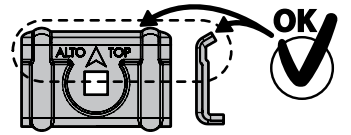
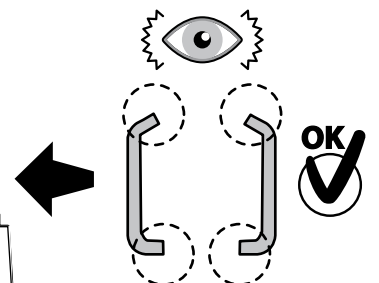
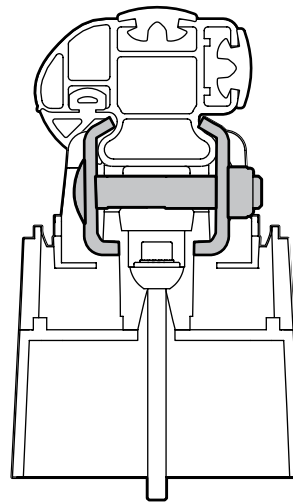
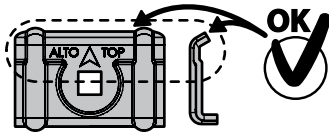
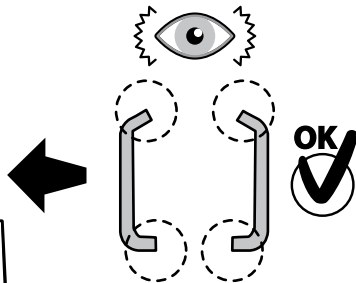
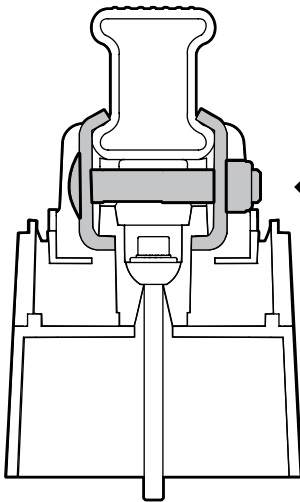
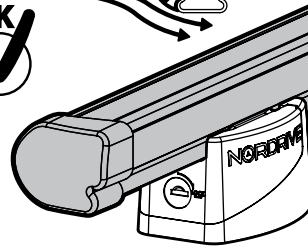
ALLUMINIO  
Aluminium

MONTAGGIO DIRETTO  
SUI KIT PIEDI SPECIFICI  
DIRECTLY ON FOOT KITS  
BEFESTIGUNGSFÜSSE

OK ✓

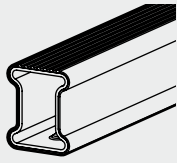


OK ✓



5

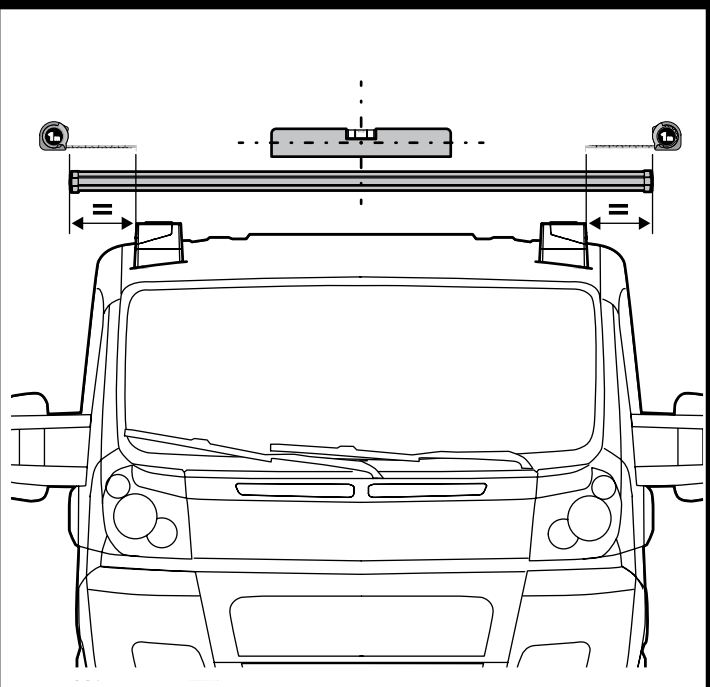
A



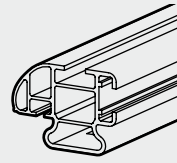
**Kargo**



ACCIAIO  
Steel



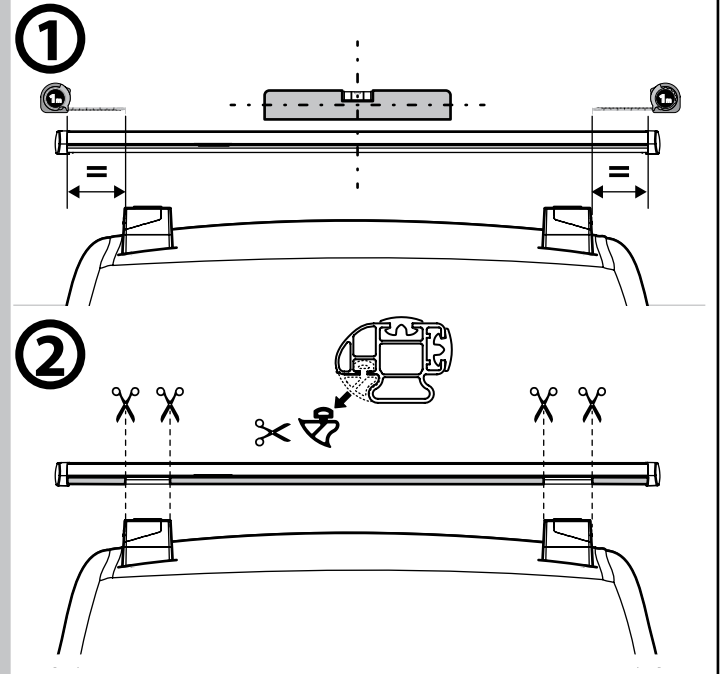
B



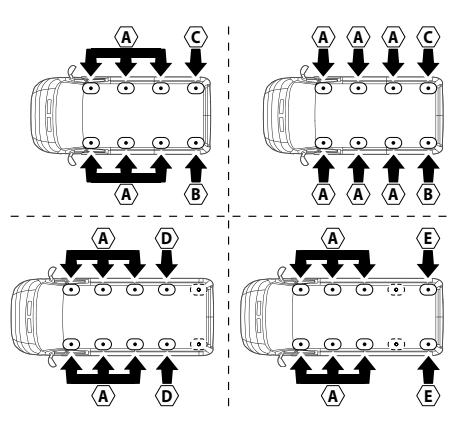
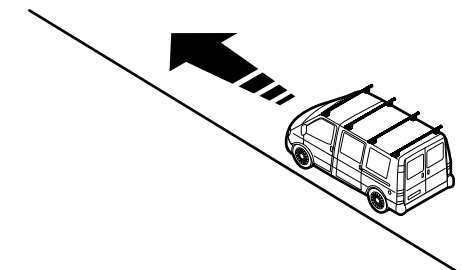
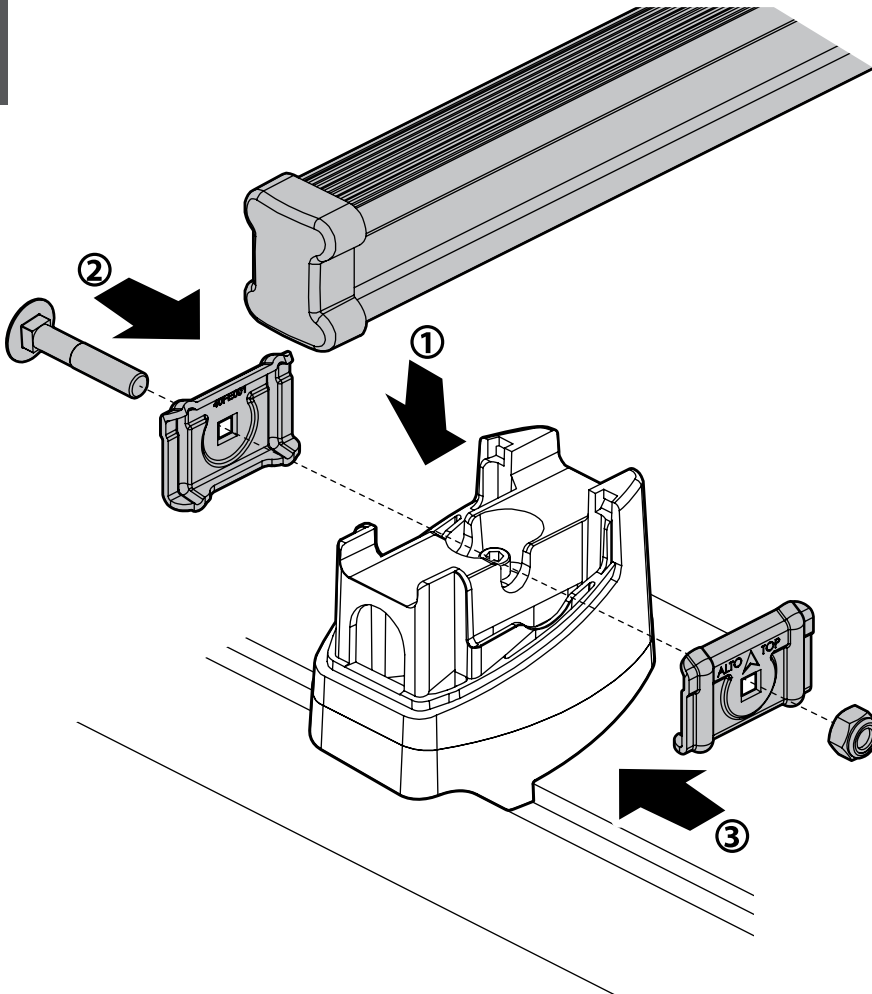
**Kargo-Plus**



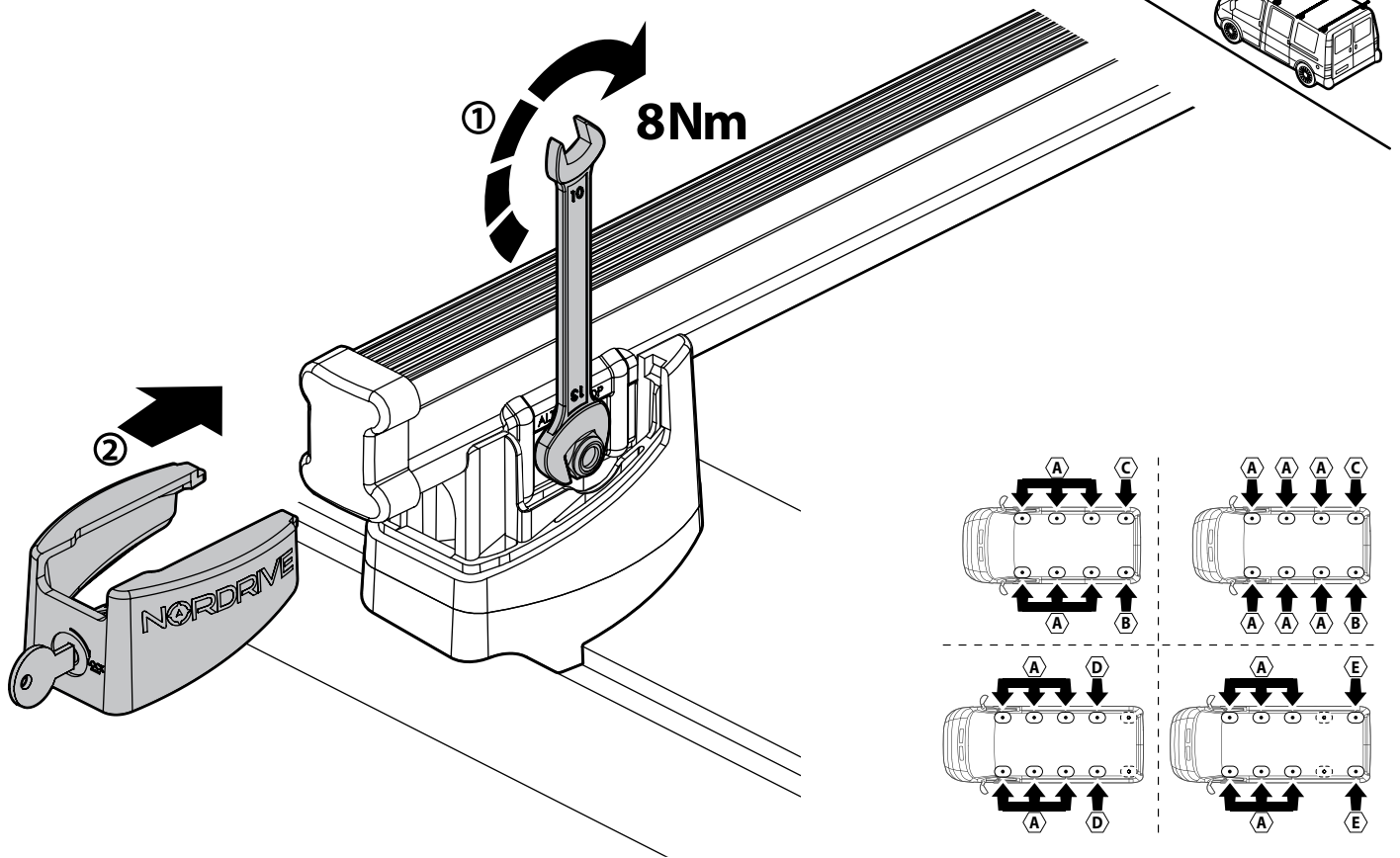
ALLUMINIO  
Aluminium



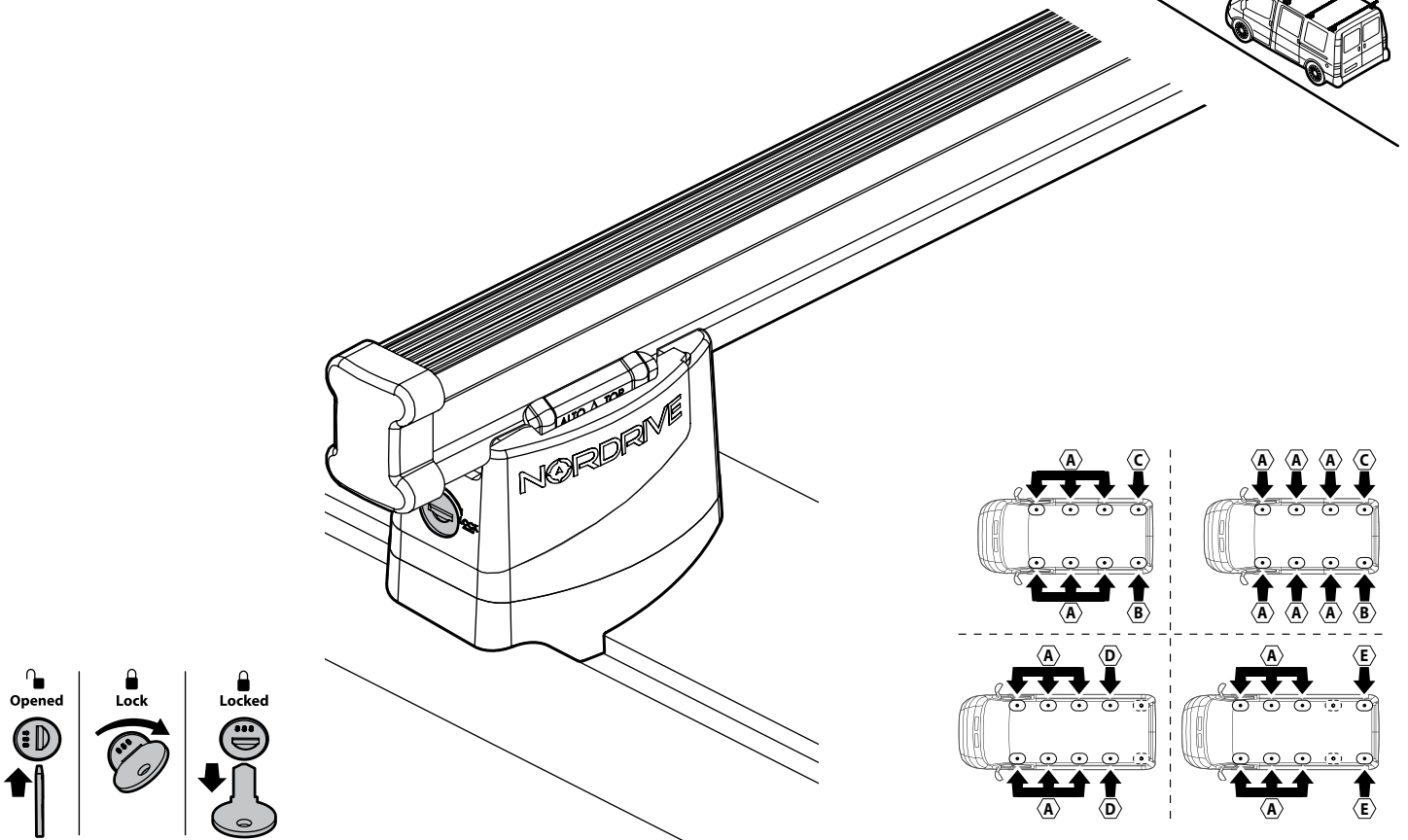
6



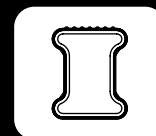
7



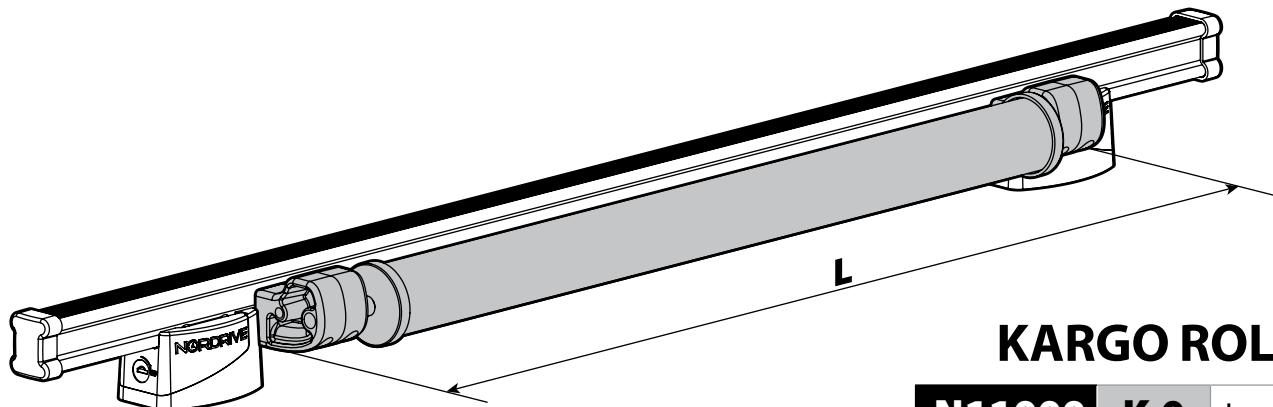
8



# Kargo series

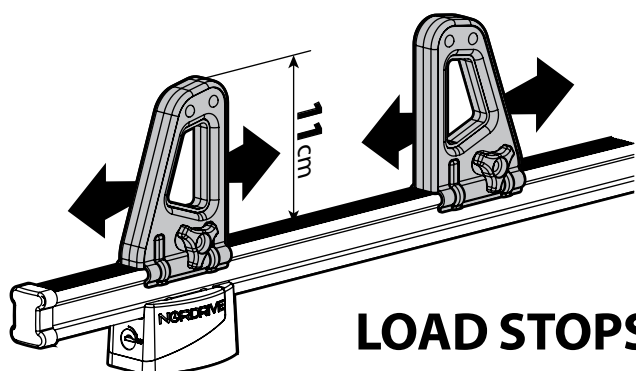


Acciaio / Steel



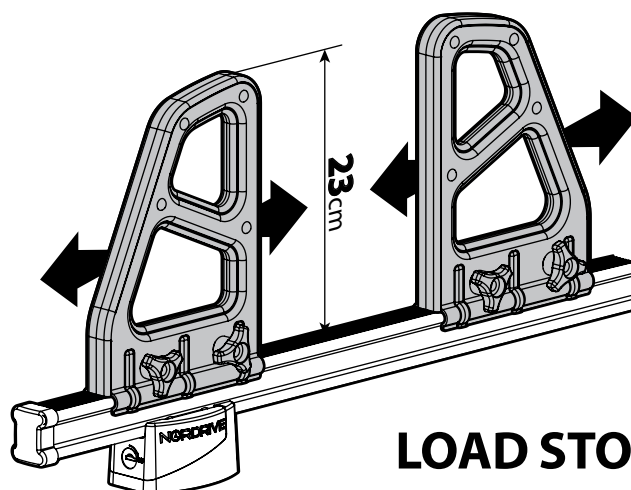
## KARGO ROLLER

<b>N11000</b>	<b>K-0</b>	L = 64 cm
<b>N11003</b>	<b>K-7</b>	L = 96 cm



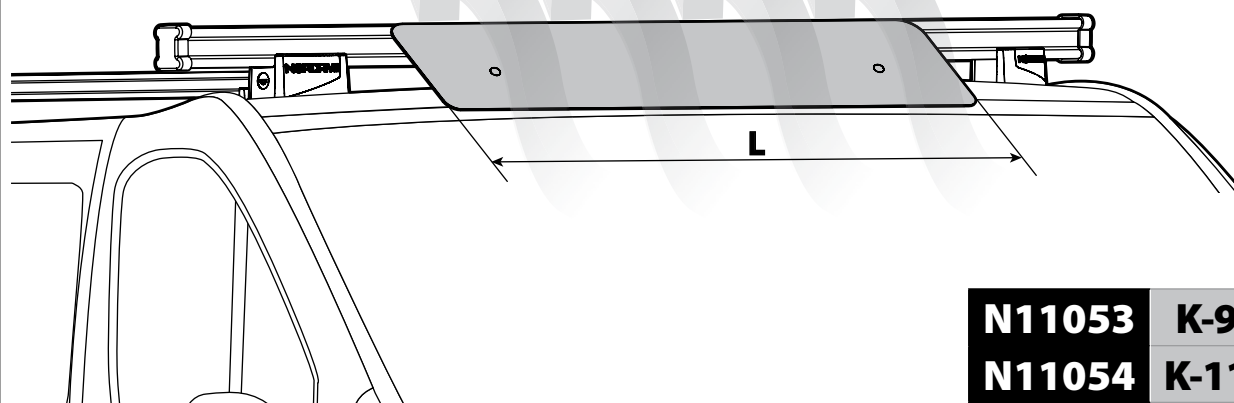
## LOAD STOPS

**N11001** K-1



## LOAD STOPS

**N11002** K-2

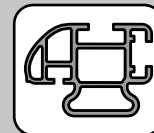


## SPOILER

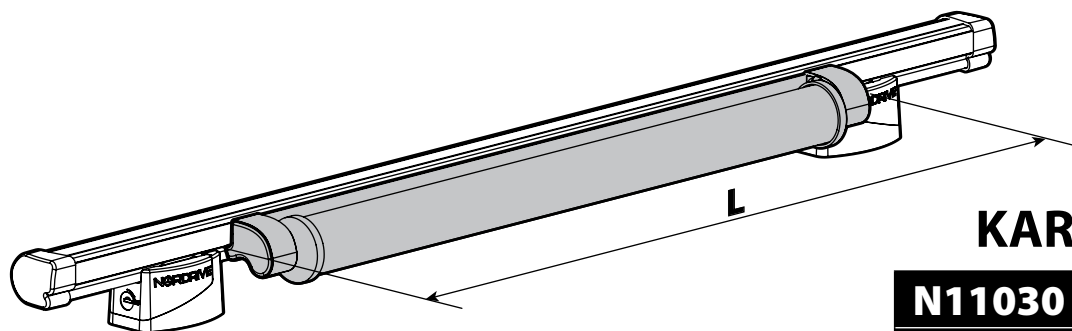
<b>N11053</b>	<b>K-9</b>	L = 95 cm
<b>N11054</b>	<b>K-11</b>	L = 110 cm

**OPTIONALS** PER / FOR / FÜR:

# Kargo-Plus series



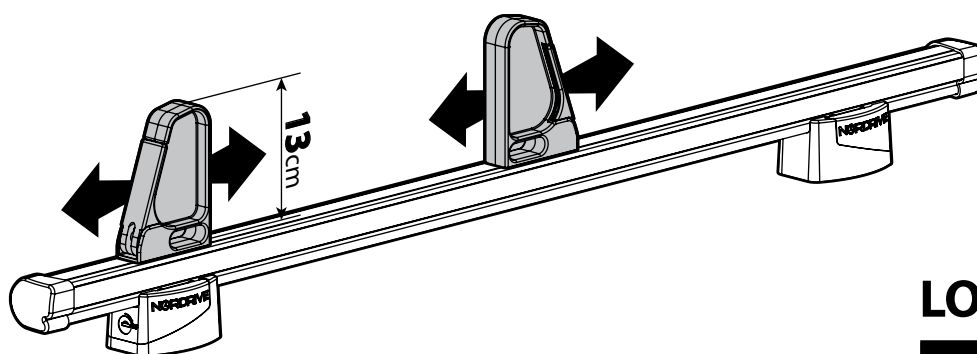
Alluminio / Aluminium



## KARGO ROLLER

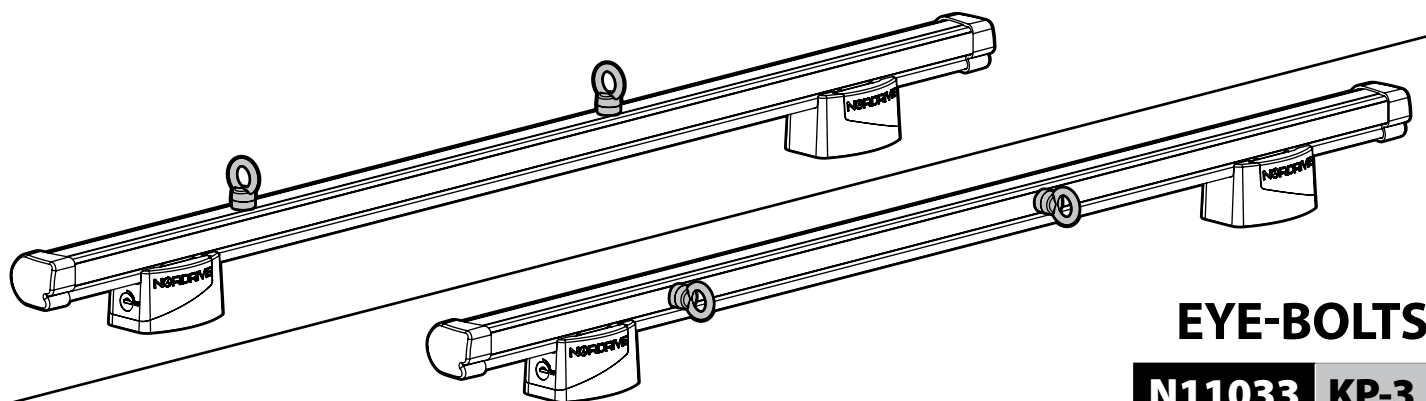
**N11030** KP-0 L = 64 cm

**N11034** KP-7 L = 96 cm



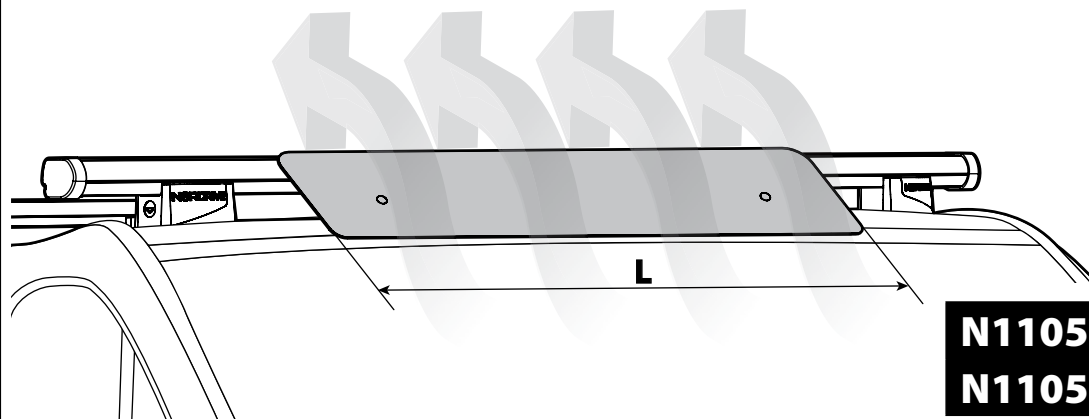
## LOAD STOPS

**N11031** KP-1



## EYE-BOLTS

**N11033** KP-3



## SPOILER

**N11057** KP-9 L = 95 cm

**N11058** KP-11 L = 110 cm



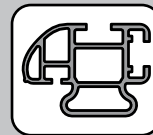
**OPTIONALS** PER / FOR / FÜR:

**Kargo** series



Acciaio / Steel

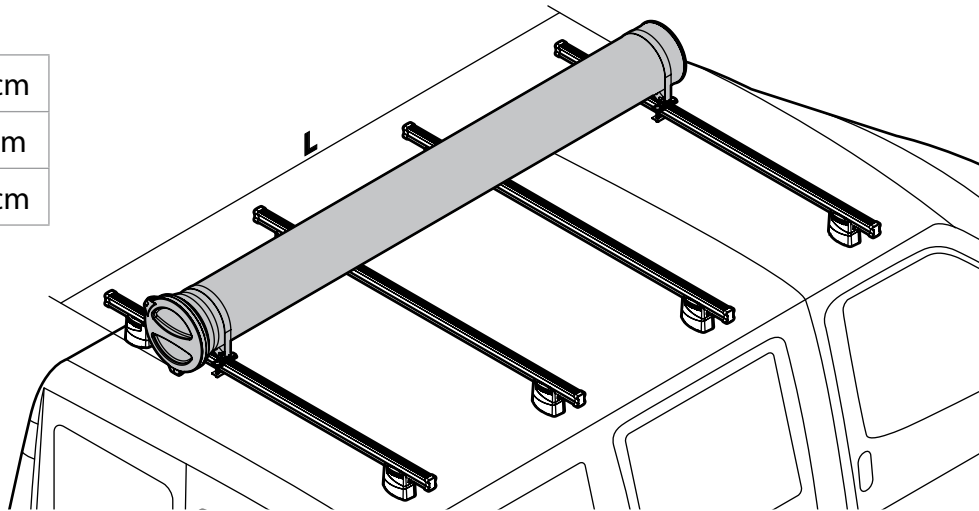
**Kargo-Plus**  
series



Alluminio / Aluminium

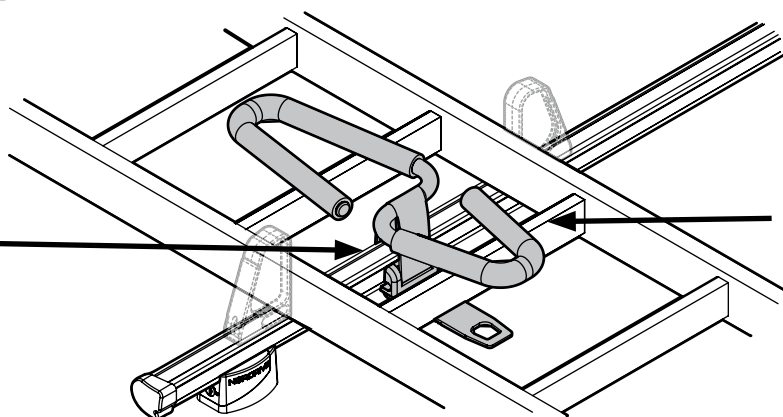
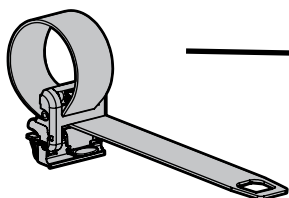
**KARGO-TUBE**

<b>N11050</b>	<b>T200</b>	L = 205 cm
<b>N11051</b>	<b>T300</b>	L = 305 cm
<b>N11052</b>	<b>T400</b>	L = 405 cm



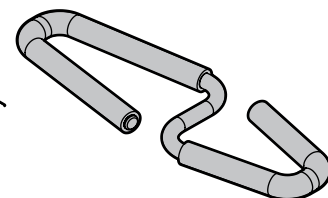
**LADDER HOLDER STRAPS**

**N11065** U-5



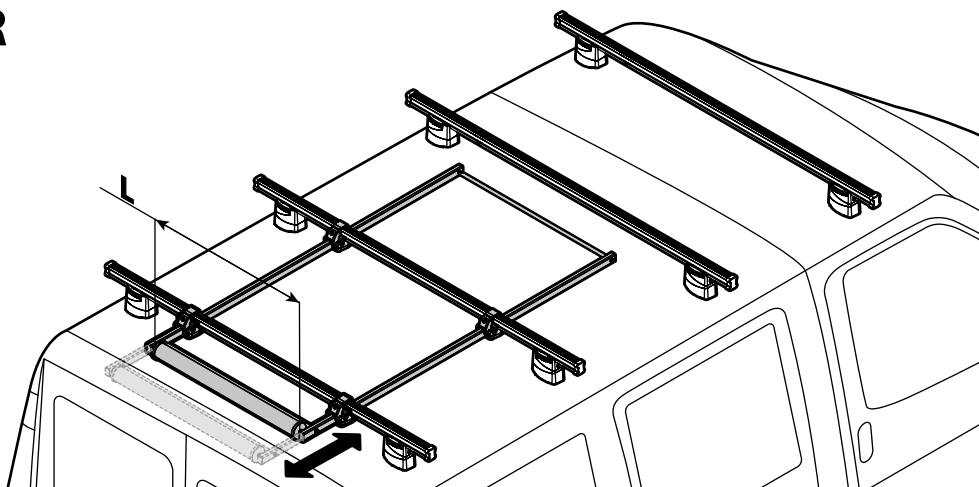
**LADDER STEP ADAPTER**

**N11067** U-6



**EXTENSION ROLLER**

<b>N11020</b>	<b>U-0</b>	L = 64 cm
<b>N11021</b>	<b>U-7</b>	L = 96 cm



- (I) Lotto di produzione da comunicare per eventuali ricambi
- (GB) Production lot number to be communicated for any spare parts
- (F) Lot de production à communiquer pour toute pièce de rechange
- (D) Produktionscharge für eventuelle Ersatzteile
- (E) Lote de producción a comunicar por cualquier repuesto

**Lot.**

**NORDRIVE®**  
TRANSPORT SOLUTIONS

NORDRIVE® is a registered trademark of  
**LAMPA S.p.A.**  
Via G. Rossa 53/55, 46019 Viadana (MN) ITALY  
Tel. +39 0375 820700  
UNI EN ISO 9001:2008 Certified Company  
[www.nordrive.it](http://www.nordrive.it)  
[www.lampa.it](http://www.lampa.it)