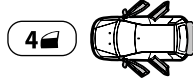


EVOS

NORDRIVE

TRANSPORT SOLUTIONS

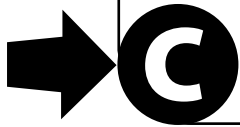
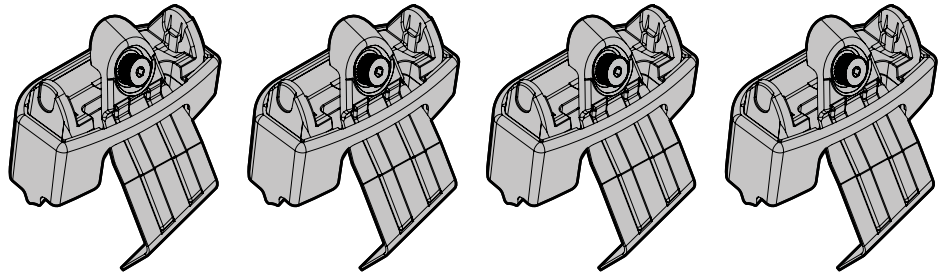
OPEL
INSIGNIA



02/09 → 04/17



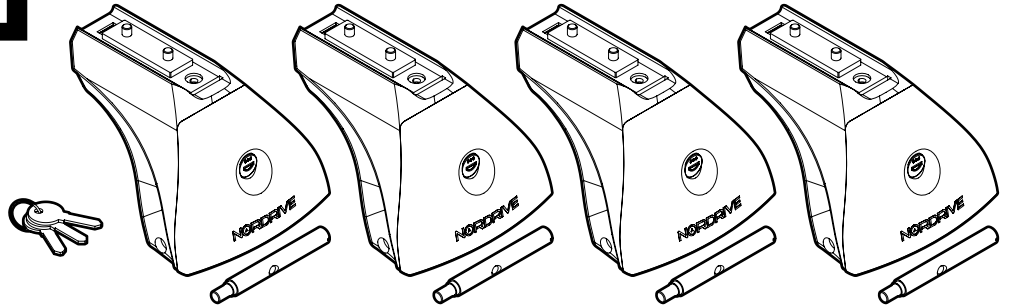
Art. N21123



C

+

Art. N20001



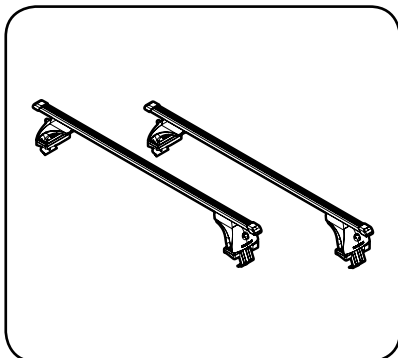
B

+

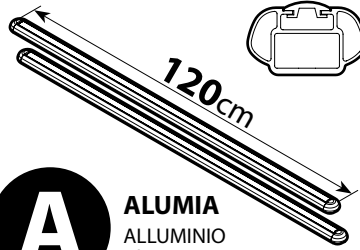
Art. N15020 **M**



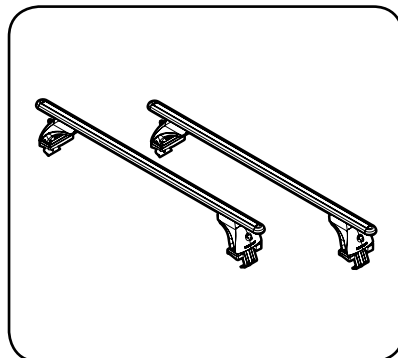
=



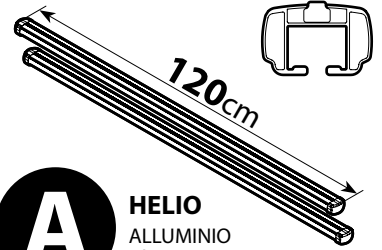
Art. N15025 **M**



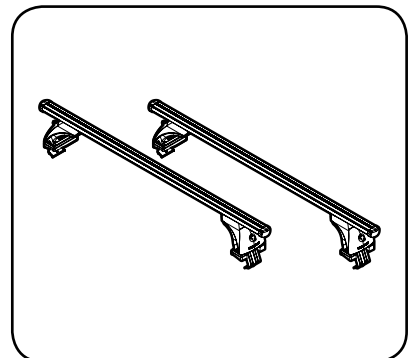
=

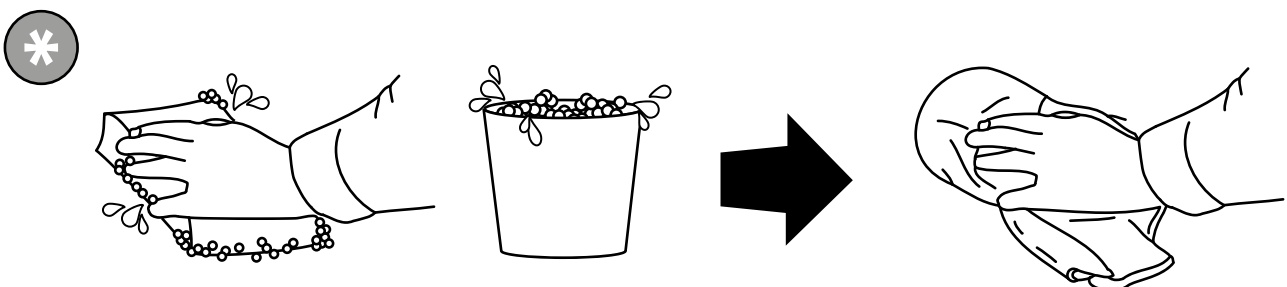
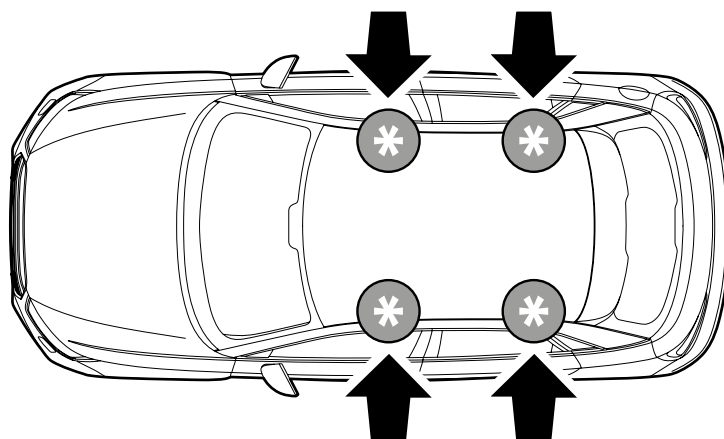
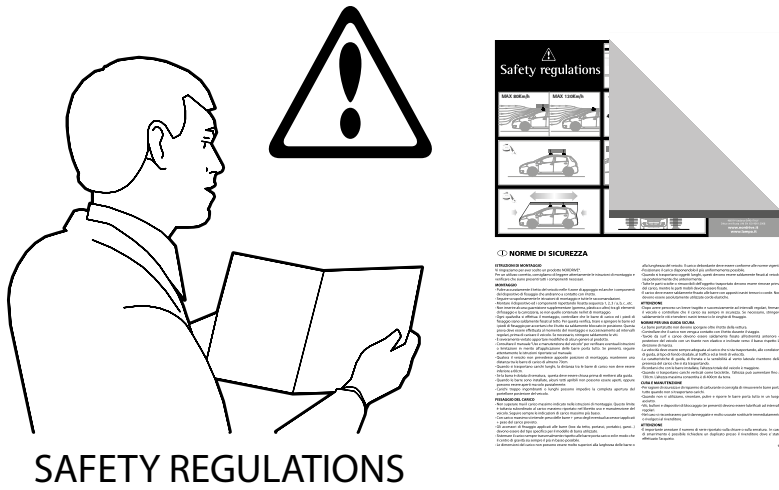
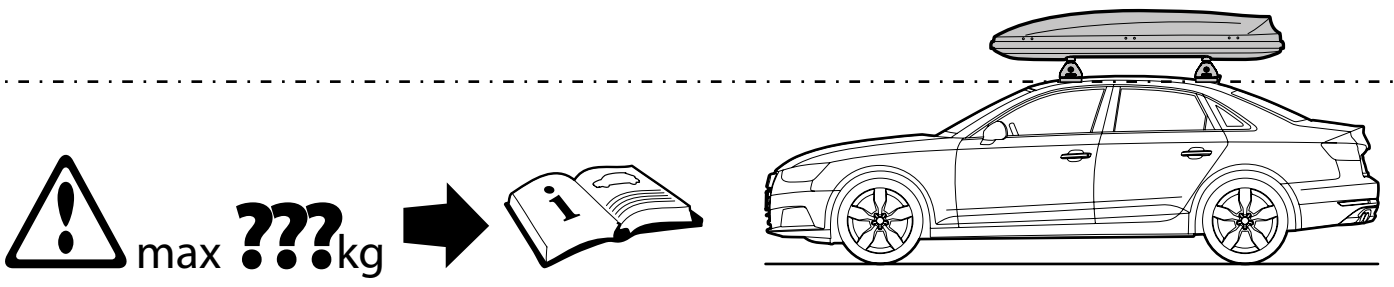
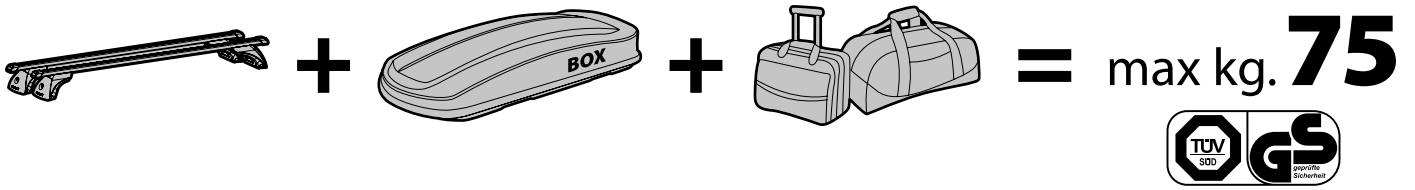


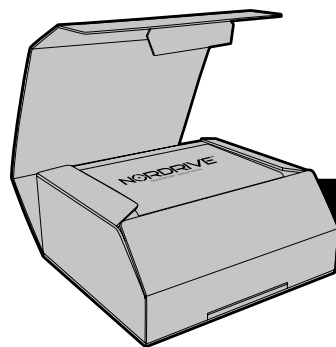
Art. N15075 **M**



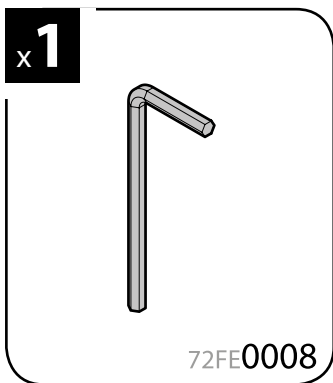
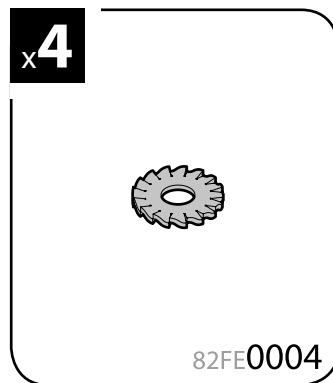
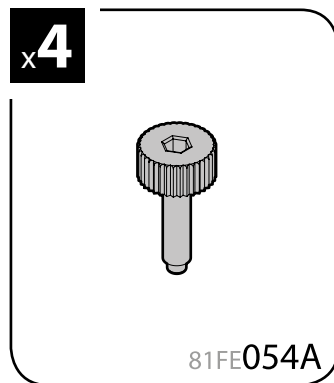
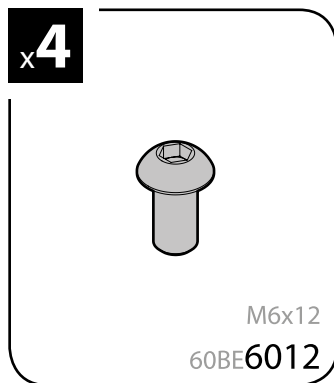
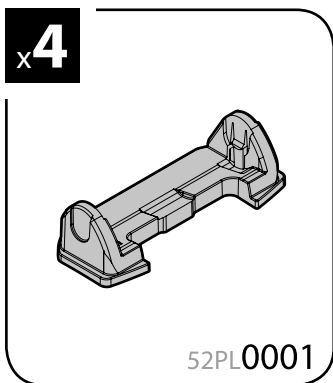
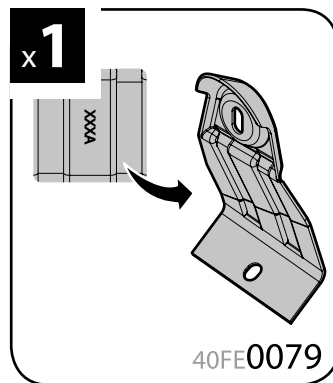
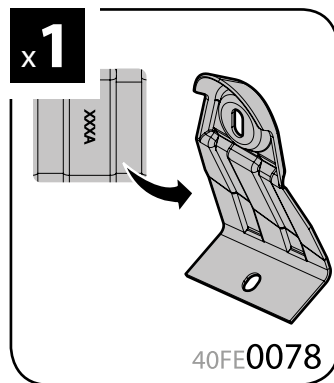
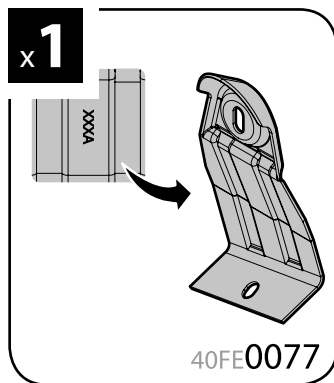
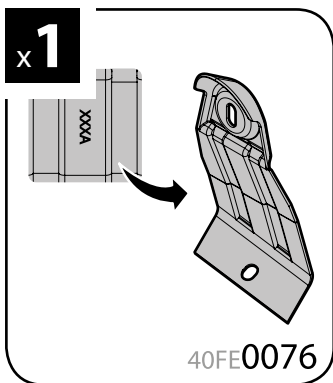
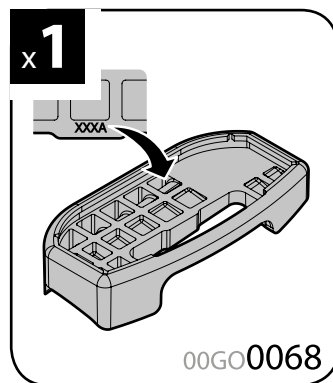
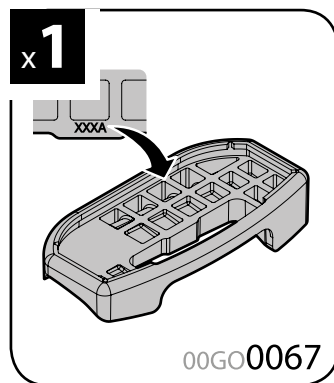
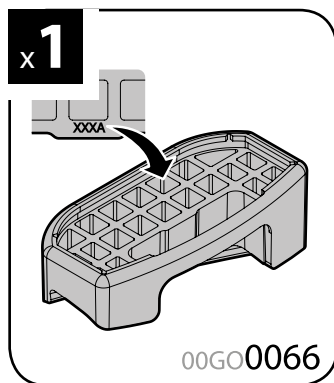
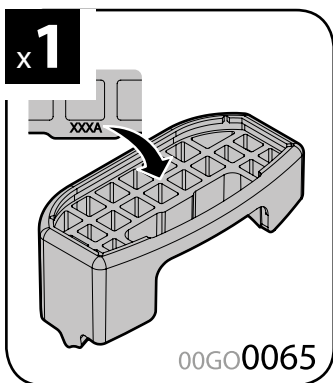
=

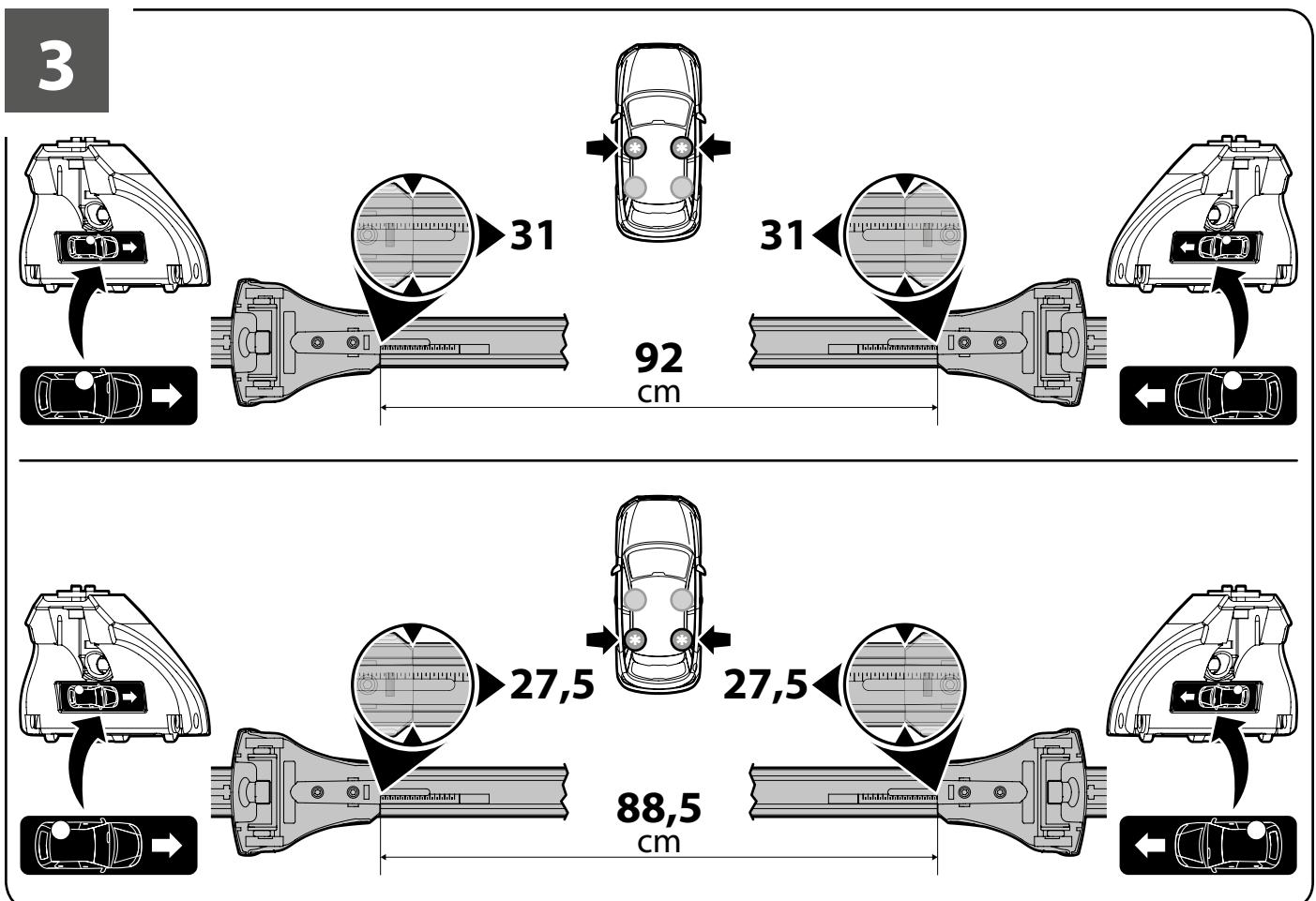
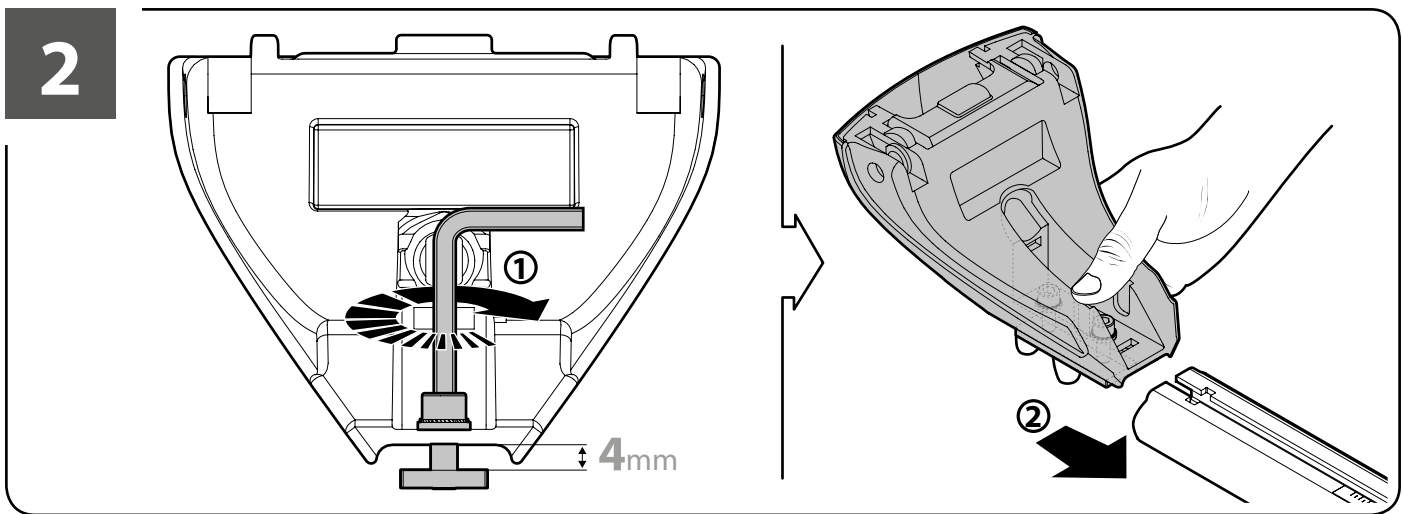
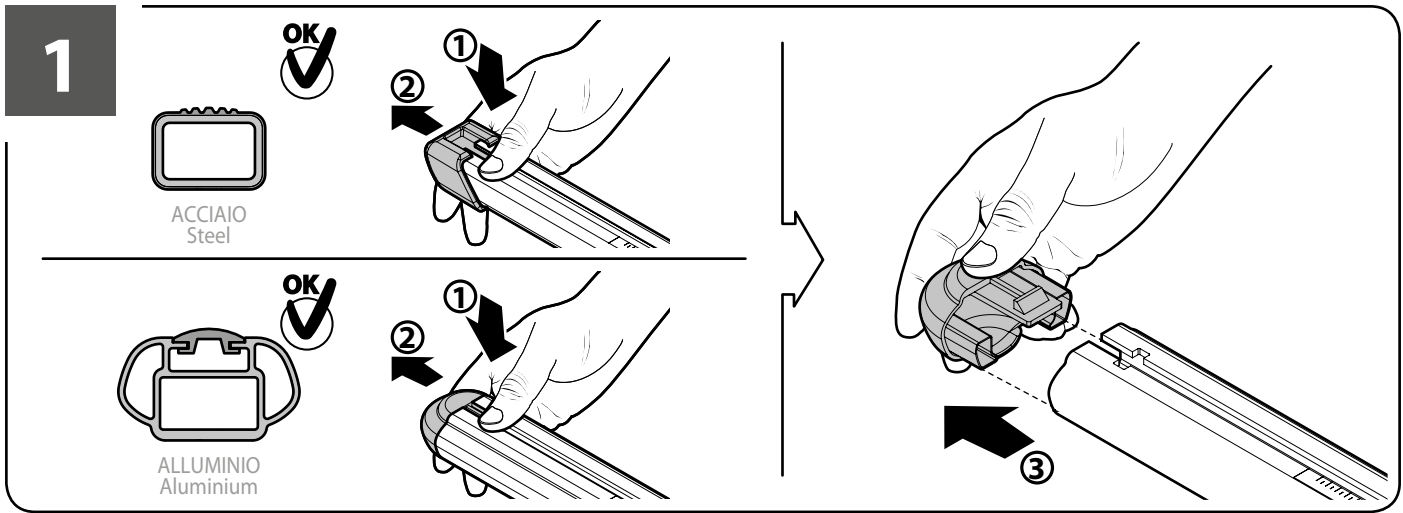




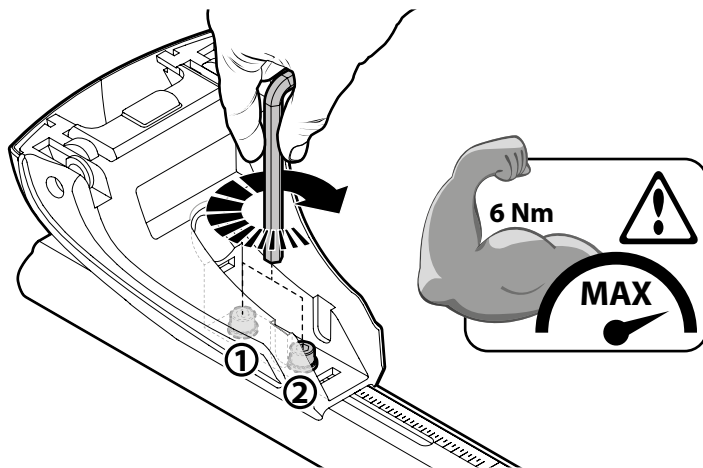


Art. N21123

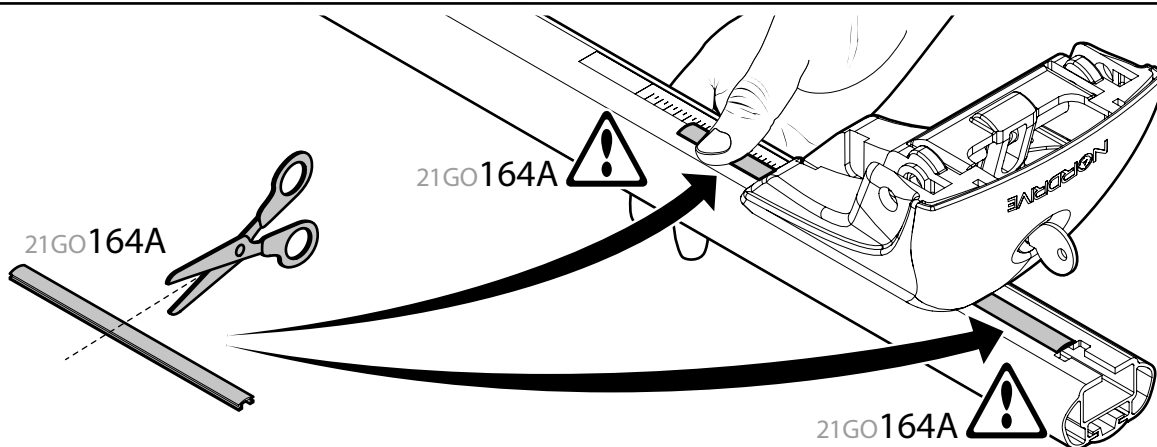




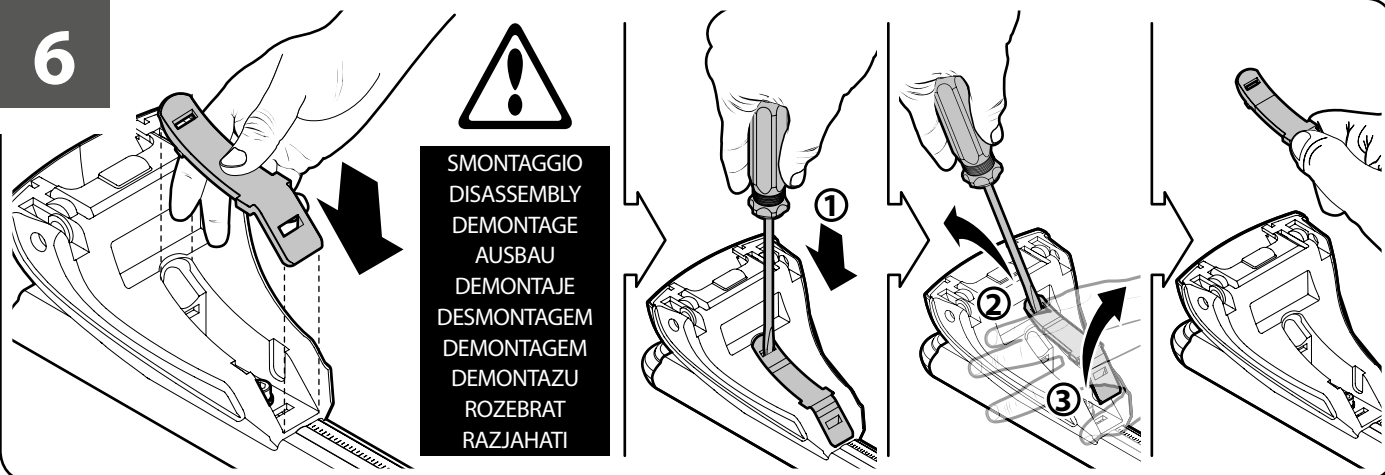
4



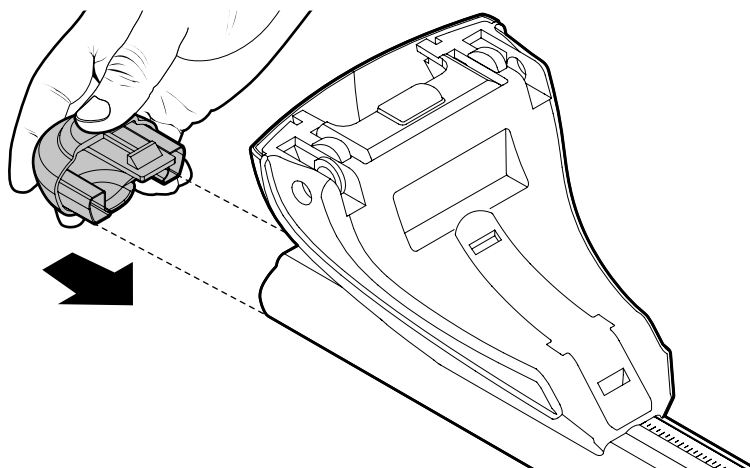
5



6

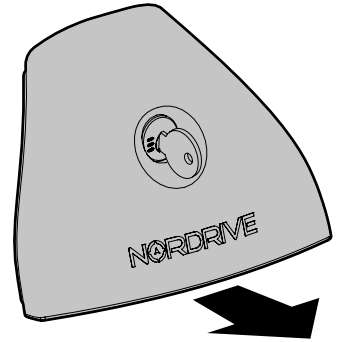
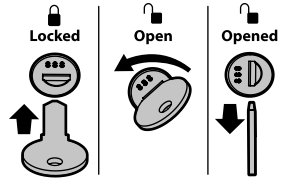
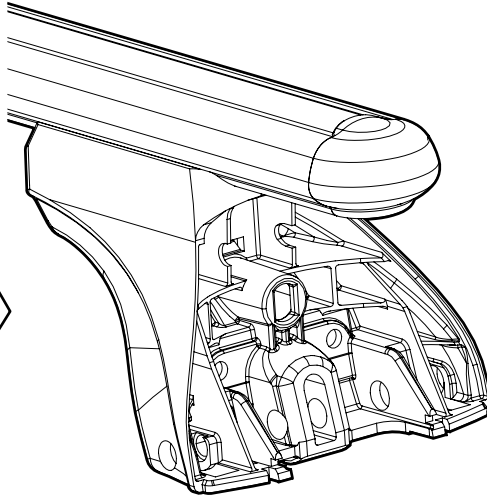
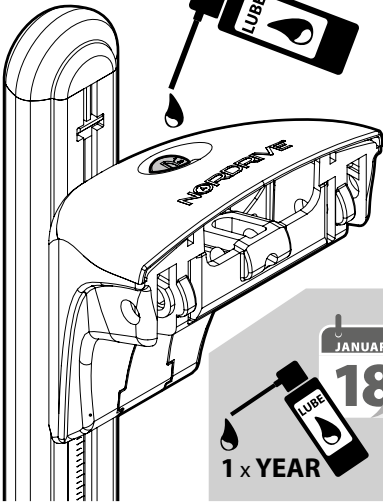


7

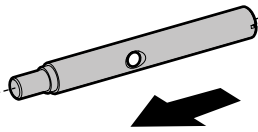
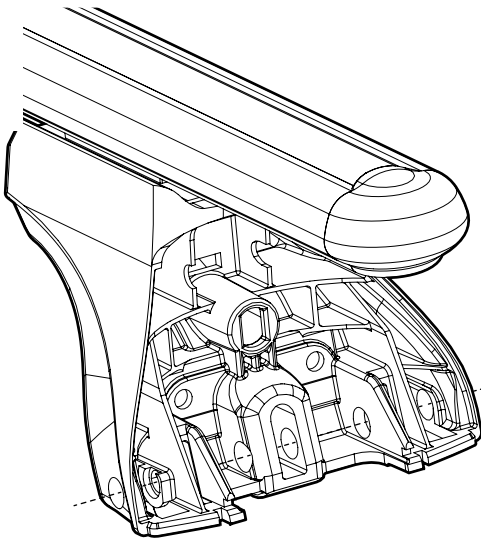


8

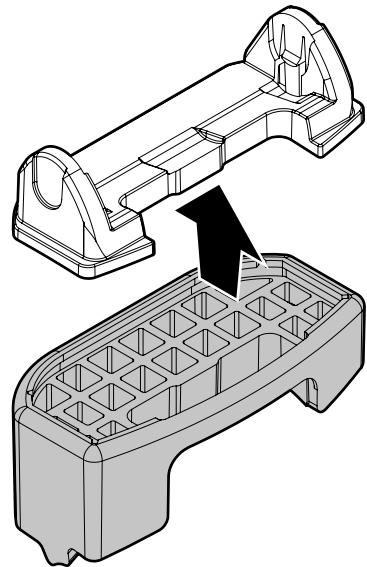
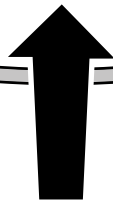
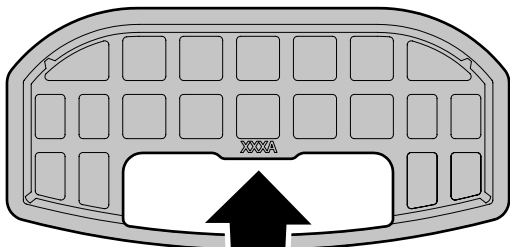
🔥 x1



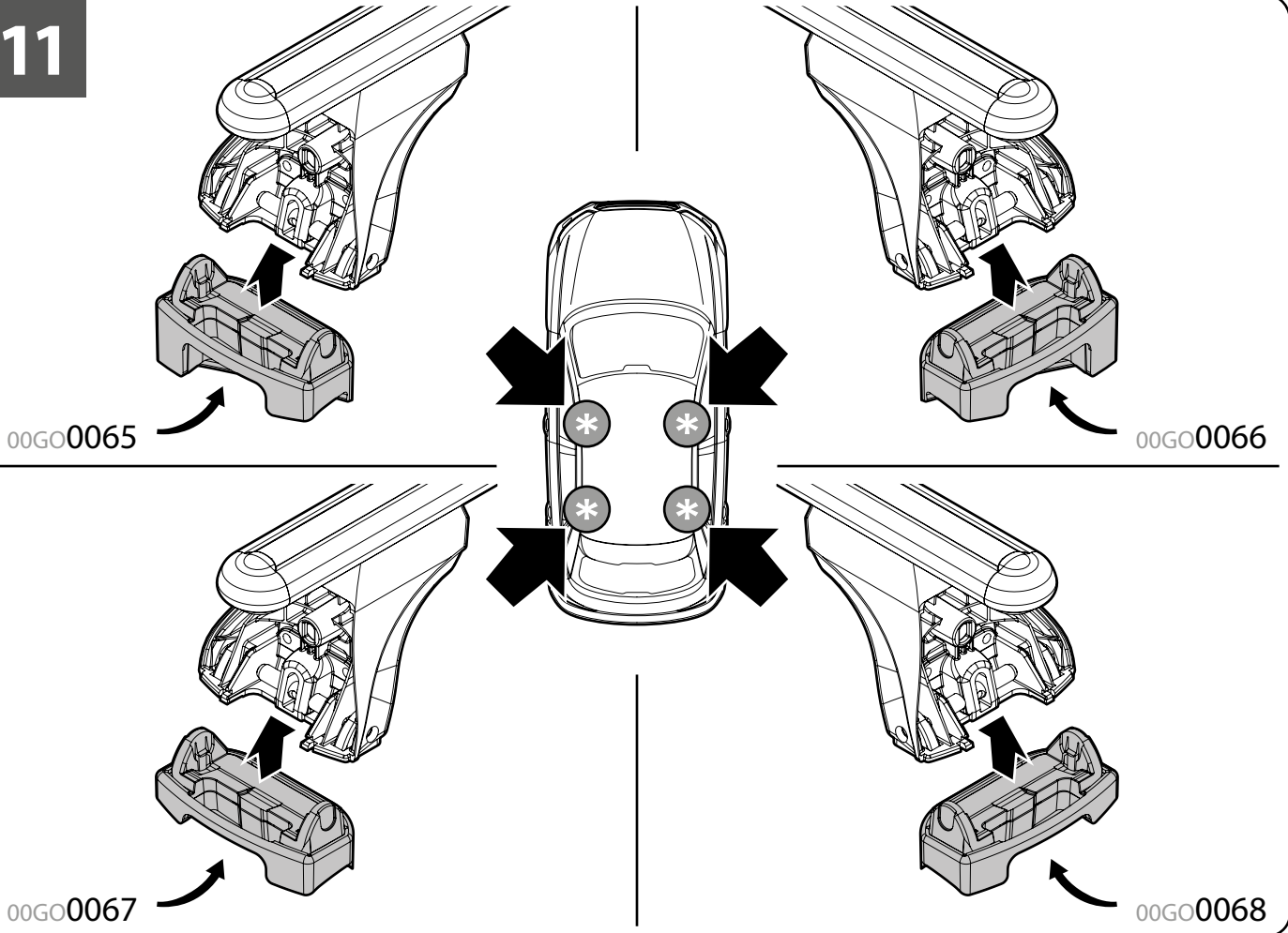
9



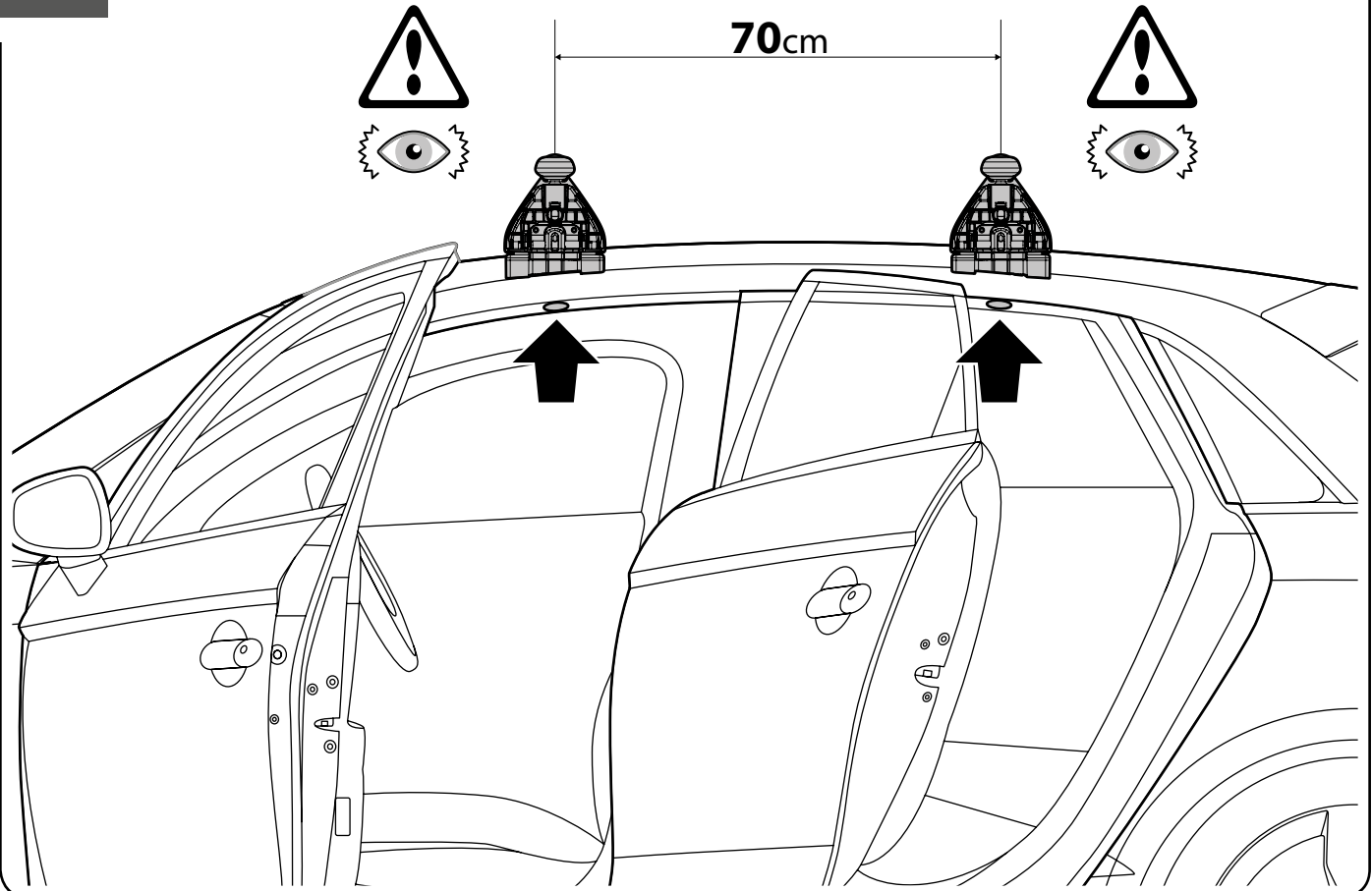
10



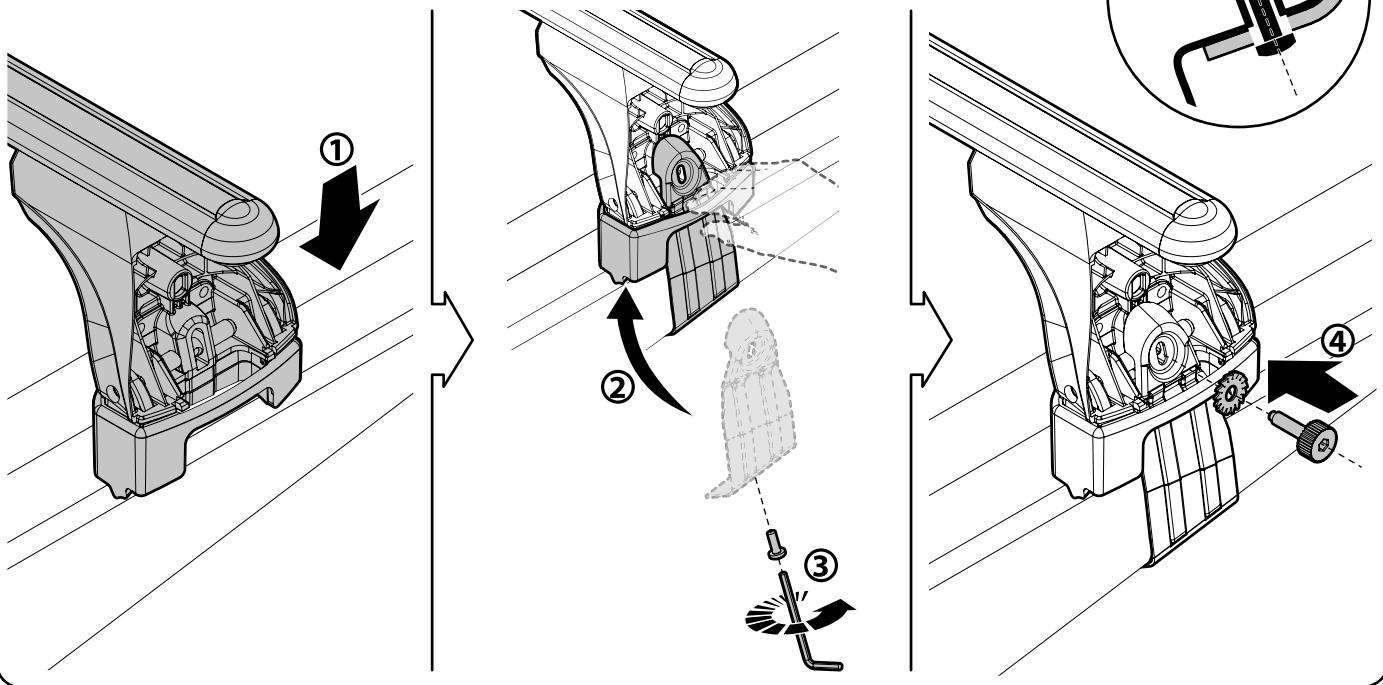
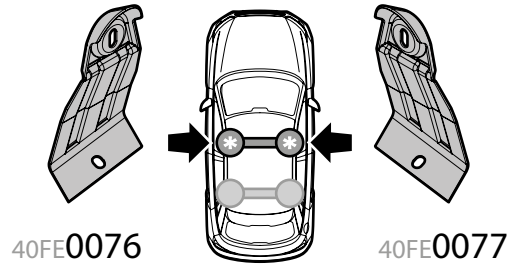
11



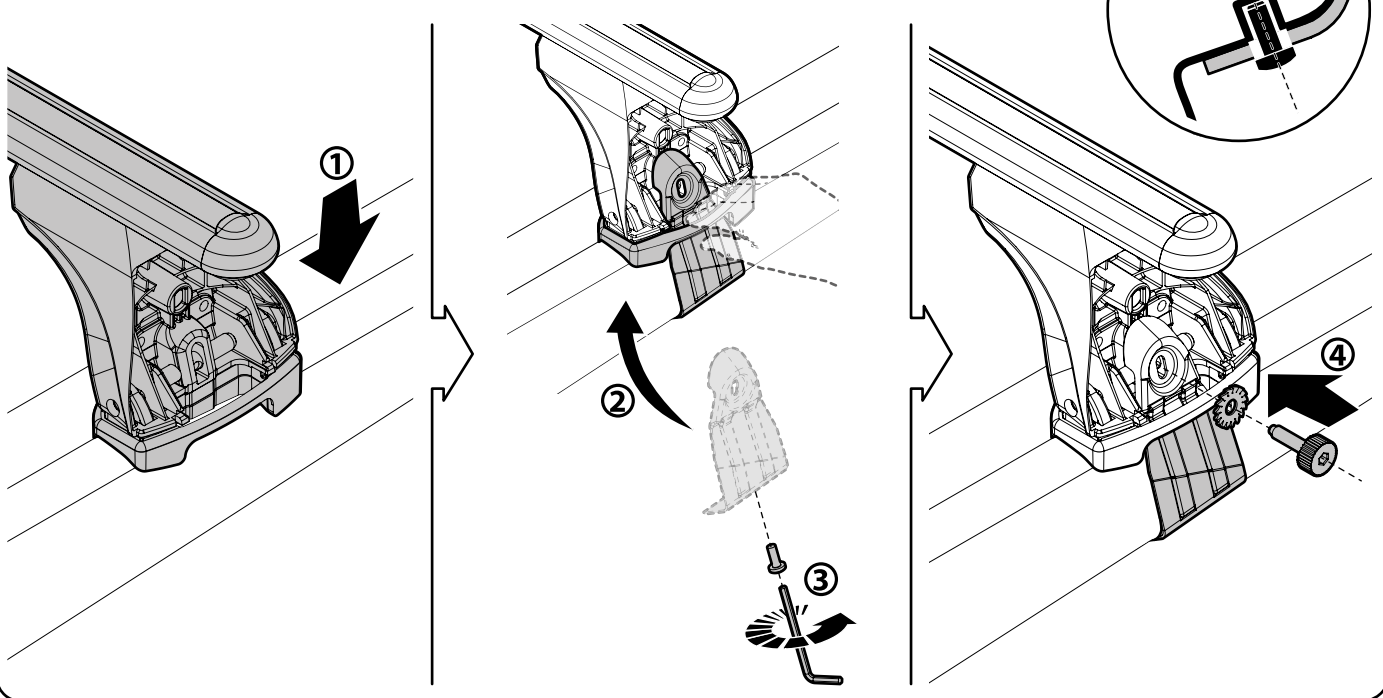
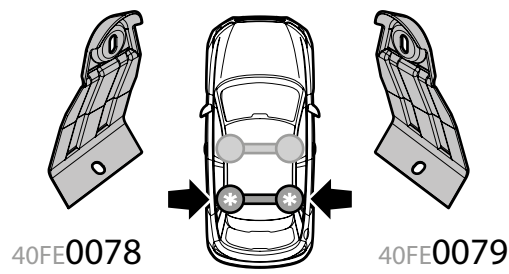
12



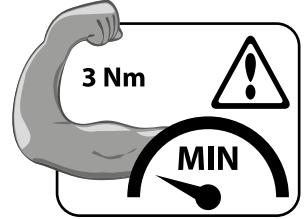
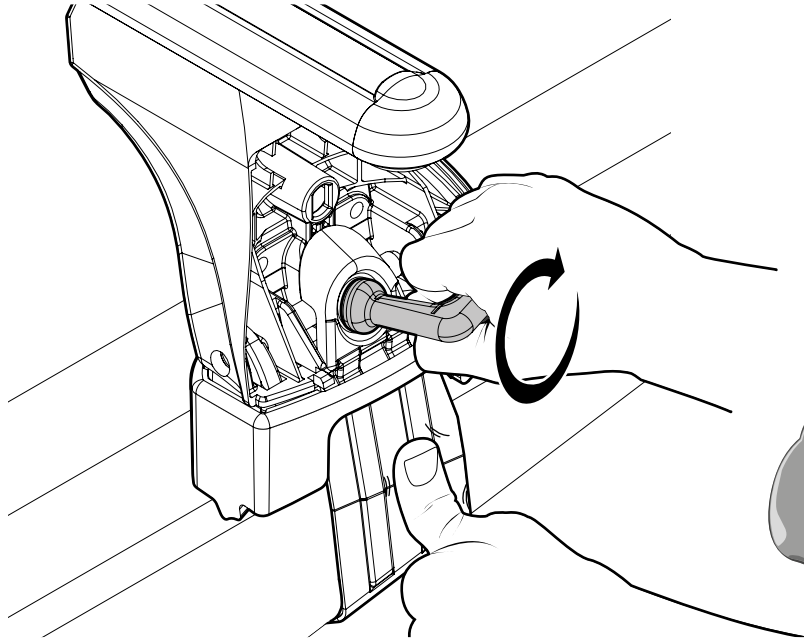
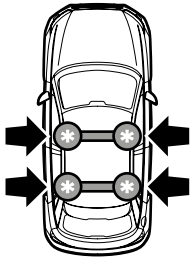
13



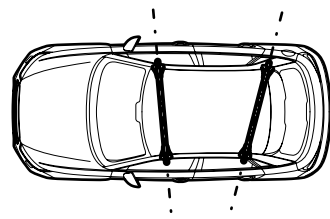
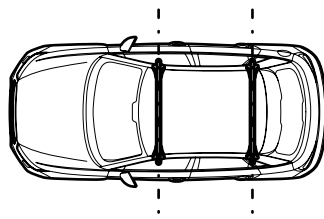
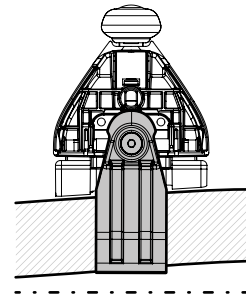
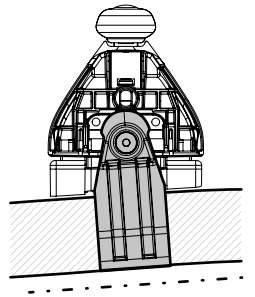
14



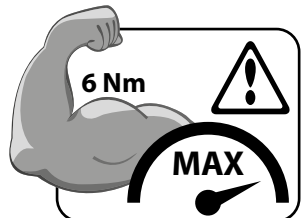
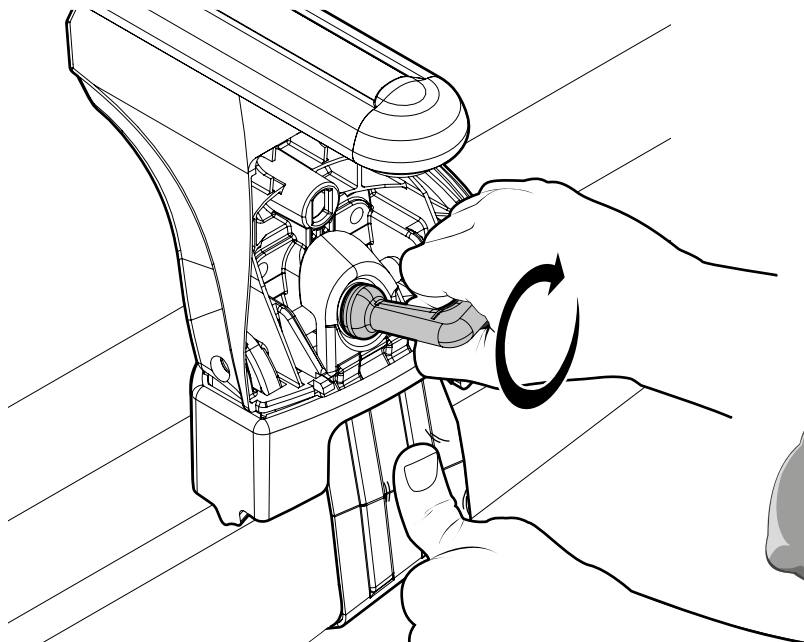
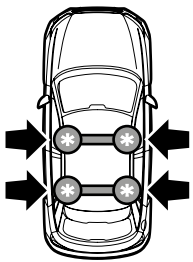
15



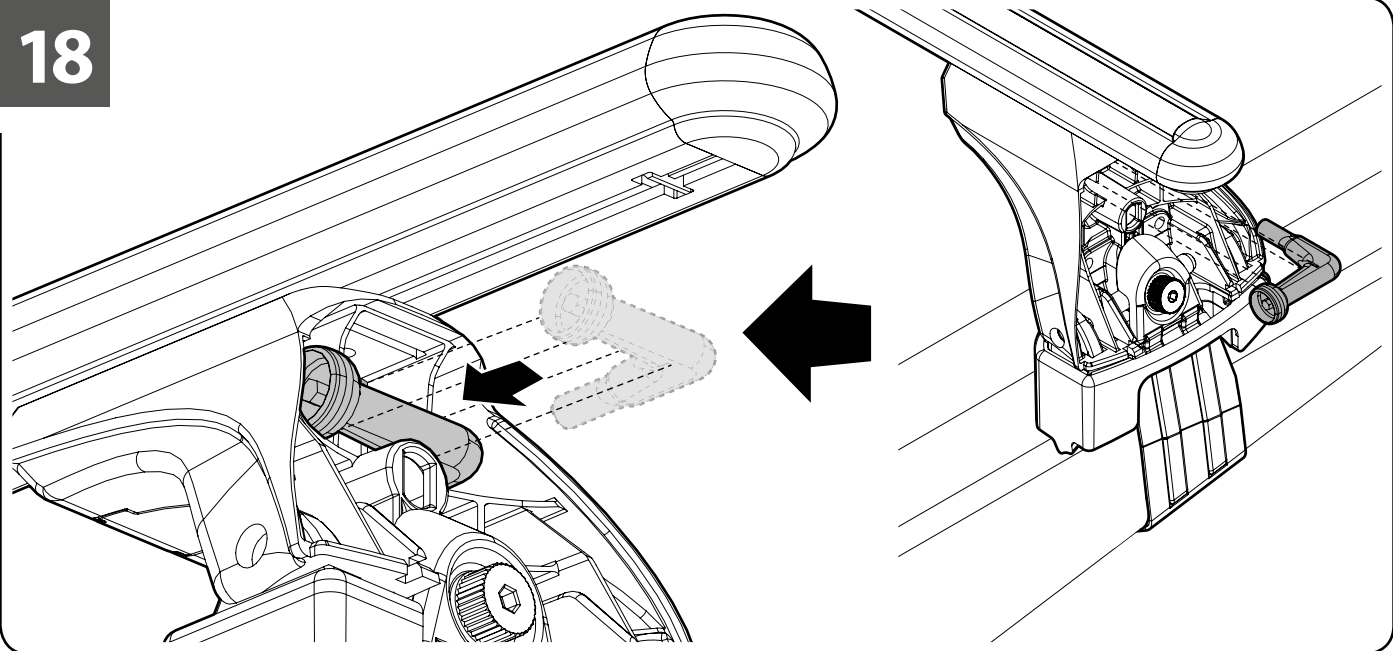
16



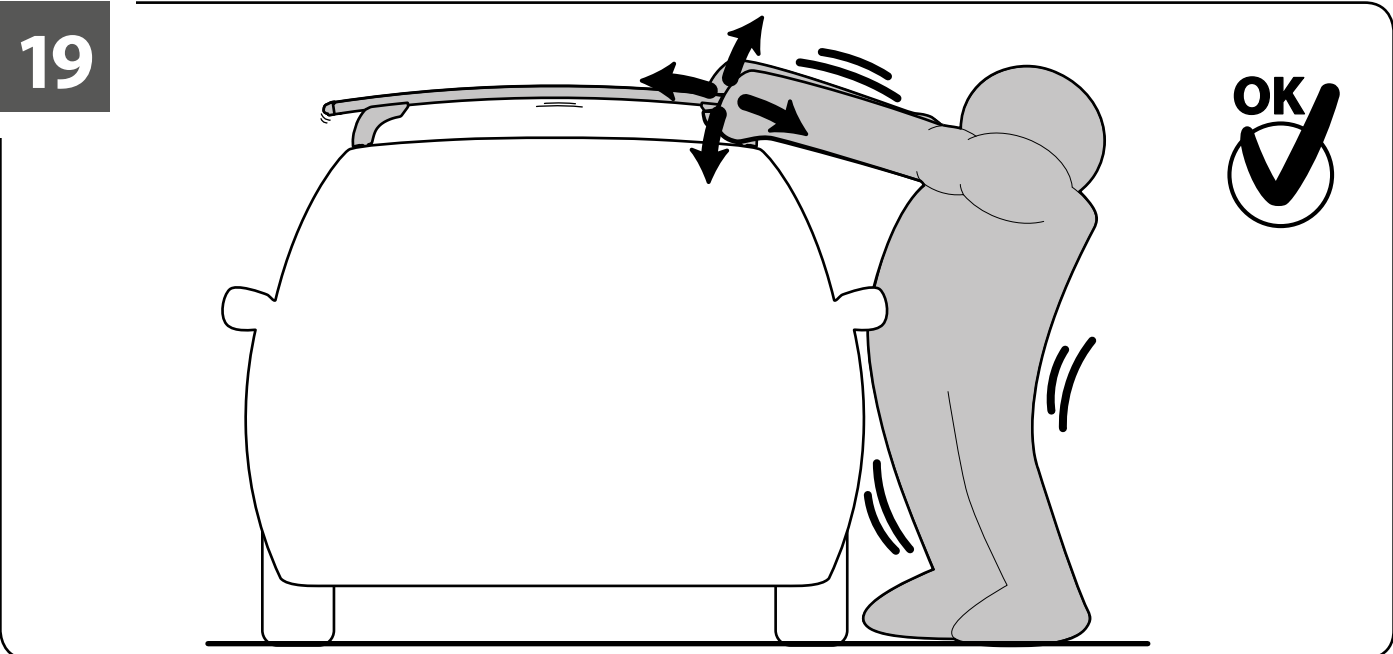
17



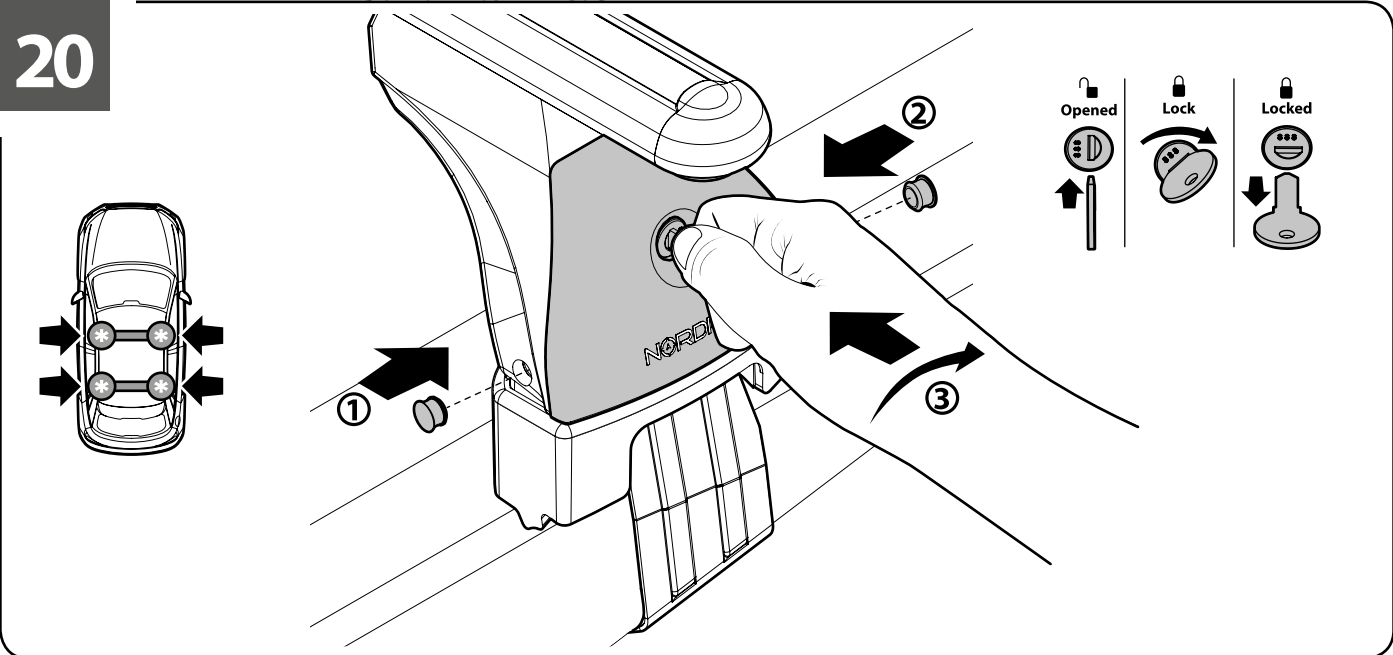
18



19



20



EVOS

NORDRIVE[®]
TRANSPORT SOLUTIONS

is a registered trade mark of

LAMPA S.p.A.

Via G. Rossa 53/55, 46019 Viadana (MN) ITALY

Tel. +39 0375 820700

UNI EN ISO 9001:2015 Certified Company

www.nordrive.it

www.lampa.it