






Art. **N30314**

FORD TRANSIT

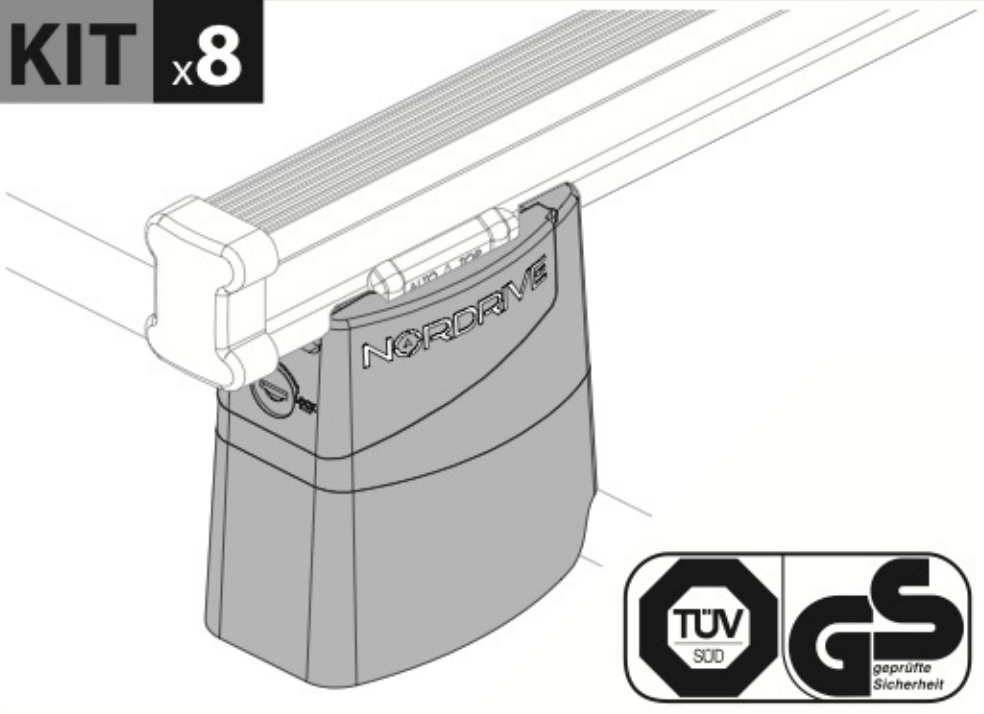
2000
2014 →

| | | |
|--------------------------------------------------------------------------------------------------------------------------------|---------------------------------------------------------------------------------------------------------------------------------|---------------------------------------------------------------------------------------------------------------------------------|
| L2 H2  H = 2490 mm P = 3300 mm | L3 H2  H = 2490 mm P = 3750 mm | |
| L2 H3  H = 2729 mm P = 3300 mm | L3 H3  H = 2729 mm P = 3750 mm | L4 H3  H = 2729 mm P = 3750 mm |

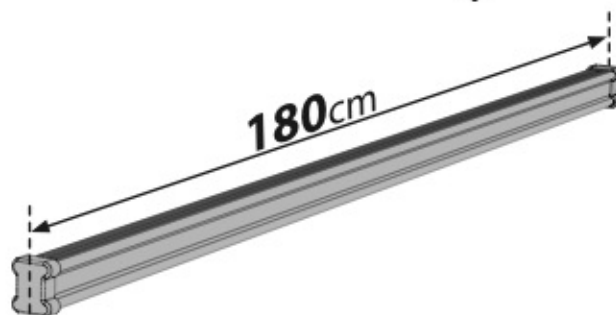


- (I) ISTRUZIONI DI MONTAGGIO
- (GB) FITTING INSTRUCTIONS
- (D) MONTAGEANLEITUNG
- (F) INSTRUCTIONS DE MONTAGE
- (E) INSTRUCCIONES DE MONTAJE
- (P) INSTRUÇÕES DE MONTAGEM
- (NL) MONTAGE-INSTRUCTIES
- (S) MONTERINGSANVISNING
- (FIN) ASENNUSOHJE
- (EST) PAIGALDUSJUHEND
- (LAT) STIPRINĀŠANAS INSTRUKCIJA
- (LT) PRITVIRTINIMO INSTRUKCIJOS
- (PL) INSTRUKCJA MONTAŻU
- (RU) Инструкции по установке
- (CZ) NÁVOD NA MONTÁŽ
- (SK) NÁVOD NA MONTÁŽ
- (SLO) NAVODILA ZA PRITRJEVANJE
- (HR) UPUTA ZA SASTAVLJANJE
- (H) A FELSZERELÉS MÓDJA
- (GR) Οδηγία συναρμολόγησης
- (TR) MONTAJ TALIMATLARI
- (BG) ИНСТРУКЦИИ ЗА МОНТАЖ
- (SRB) UPUTSTVA ZA MONTAŽU

KIT x8



(I) PER (GB) FOR (F) POUR (D) FÜR

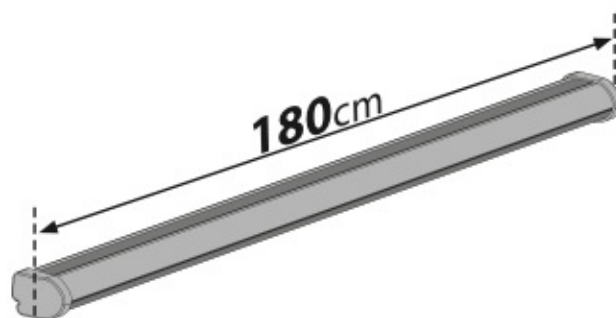


Kargo series

Acciaio / Steel



Art. **N10015** x4



Kargo-Plus series

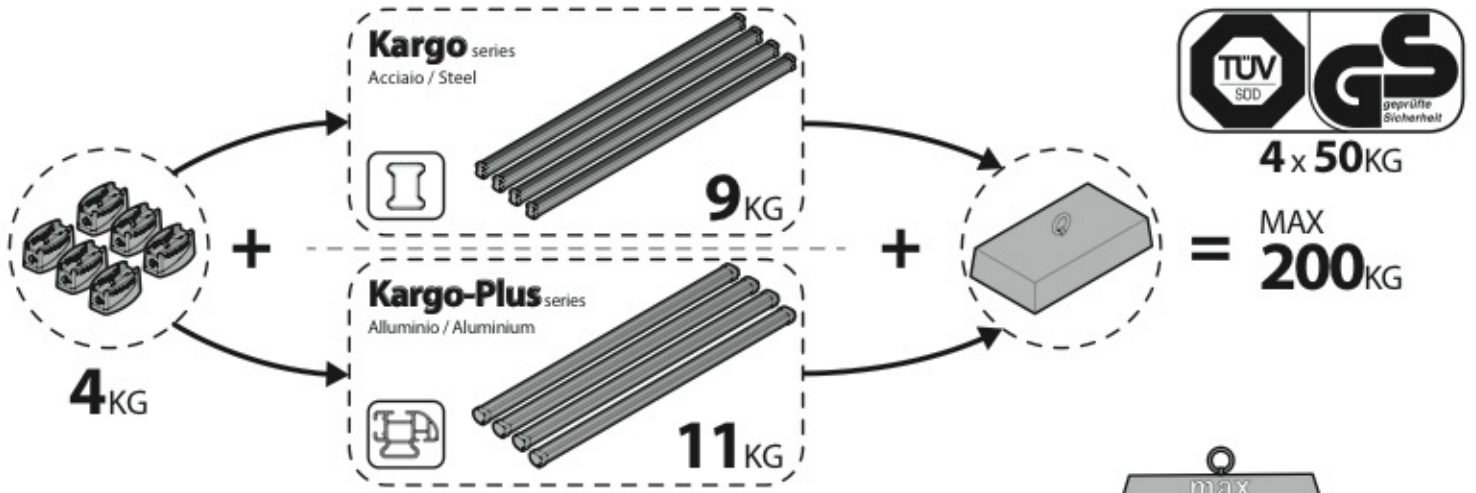
Alluminio / Aluminium



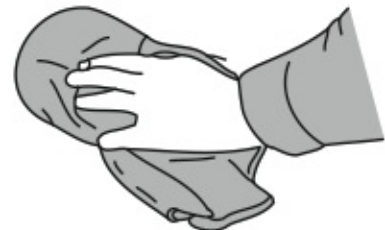
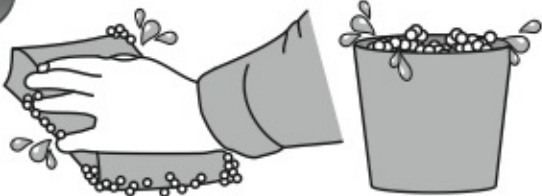
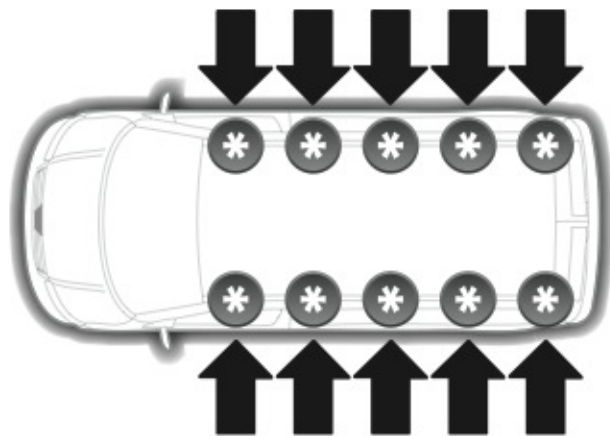
Art. **N10045** x4

NORDDRIVE[®]
TRANSPORT SOLUTIONS





max:
???kg



NORDRIVE®

TRANSPORT SOLUTIONS

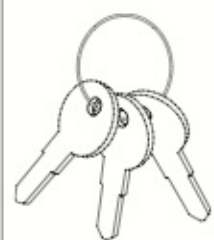


Art. **N30314**

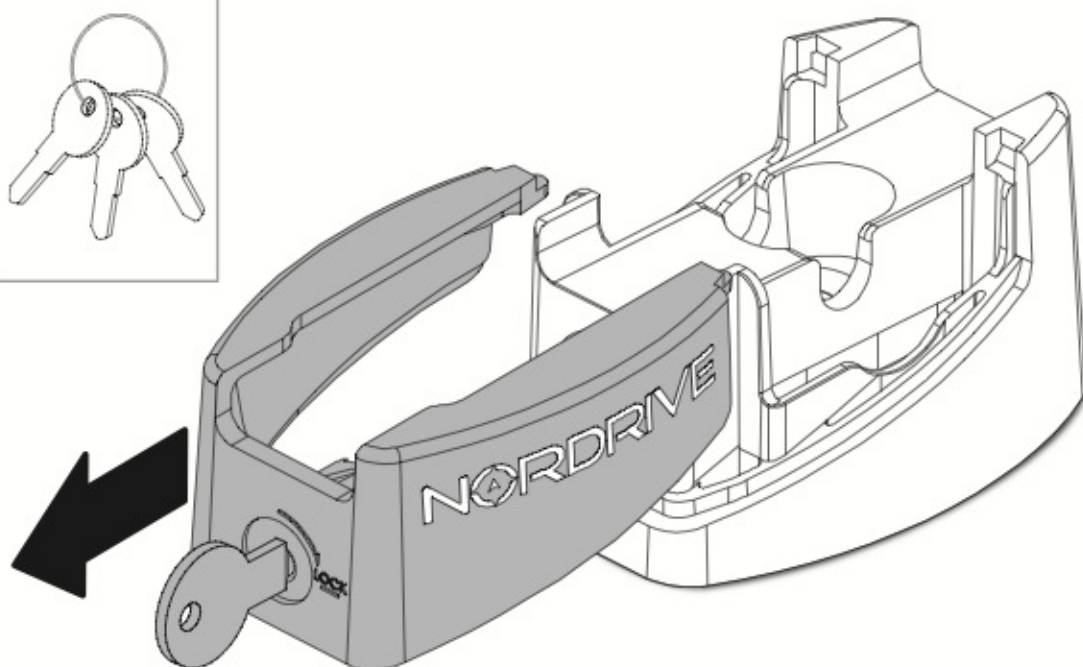
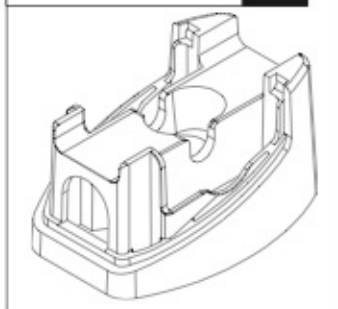
70PL001 x8



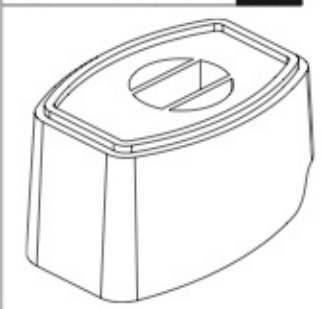
x3



76PL001 x8



00PL084B x8



40FE001 x16



77GO001 x16



**SOLO PER BARRE IN ALLUMINIO
FOR KARGO-PLUS BARS ONLY**

60BQ8045 x8



62BB0800 x8



60CE8090 M8x90 x8



61ED0815 x8



61FN0816 ø8 - ø16 x8



60RO003 x8



66OR35CN x8



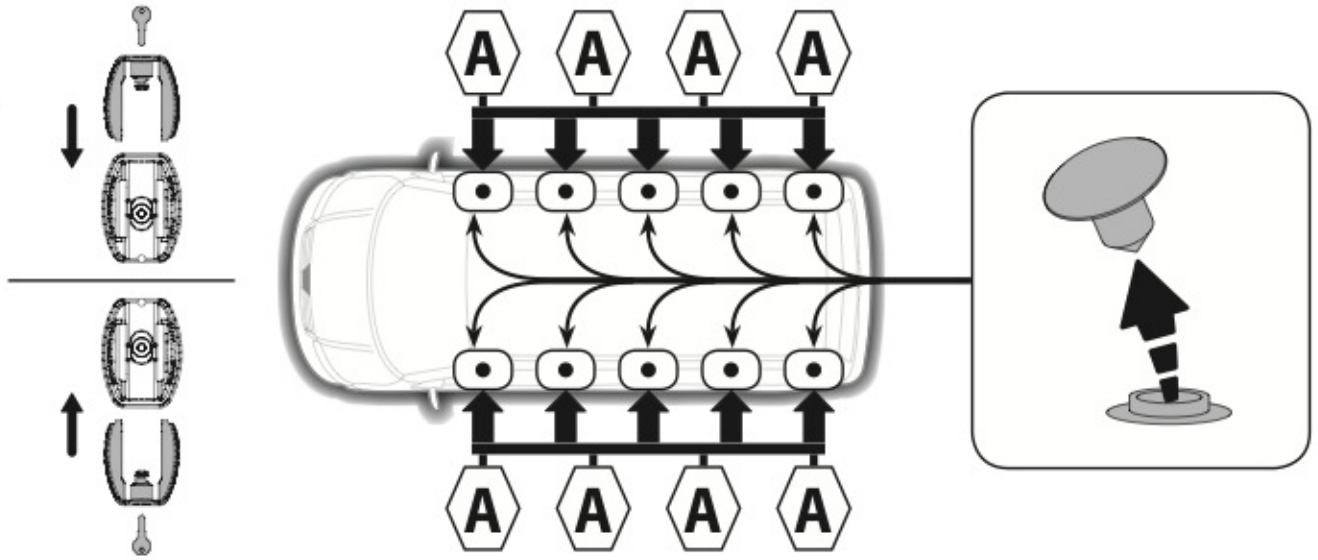
72FE001 x1



72FE003 x1

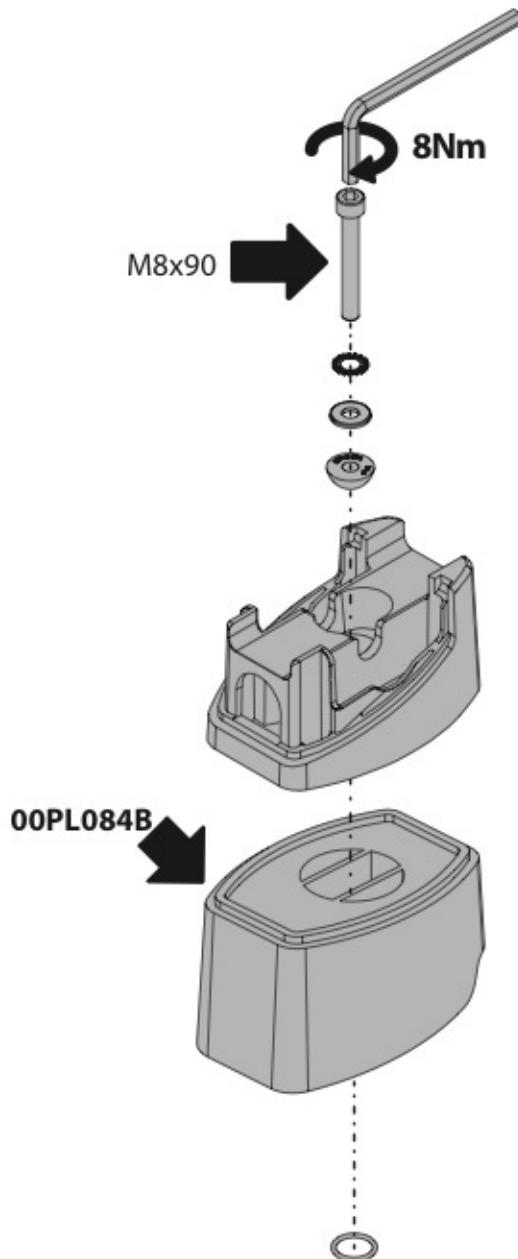


1

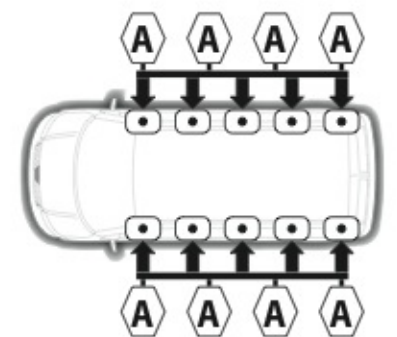
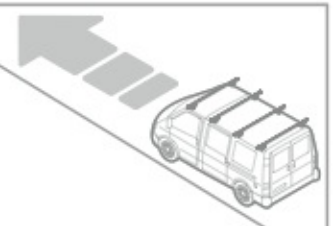
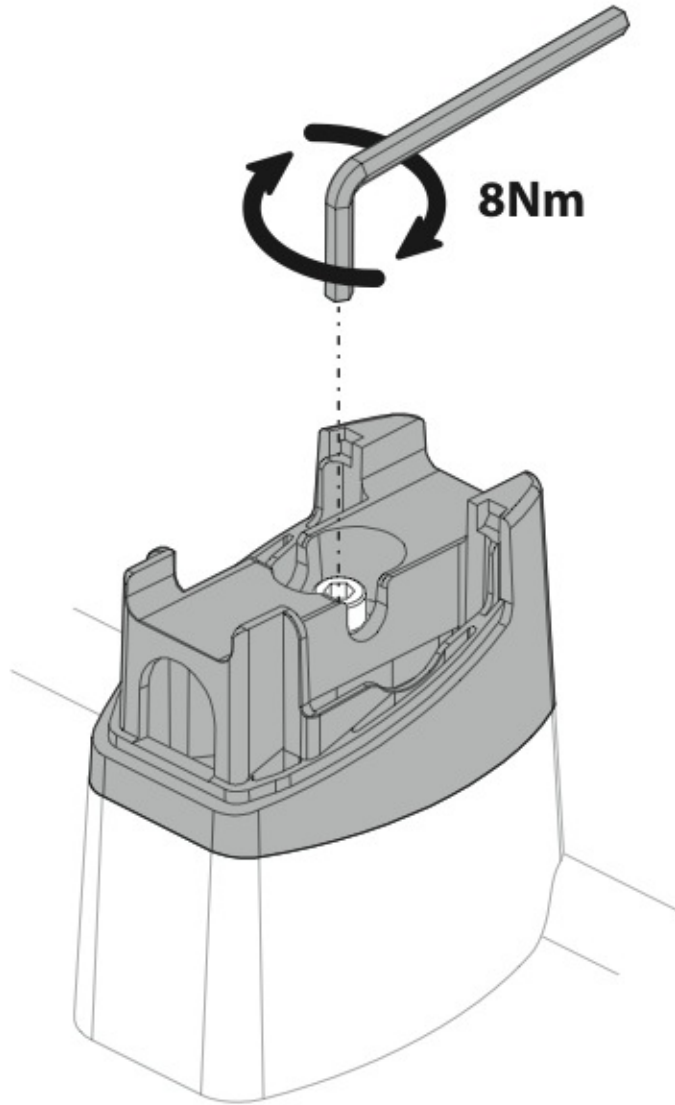


2

A



3





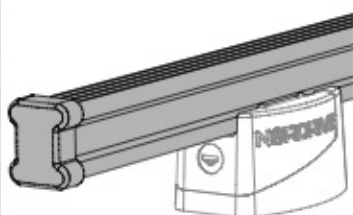
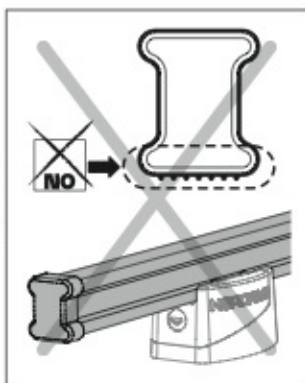
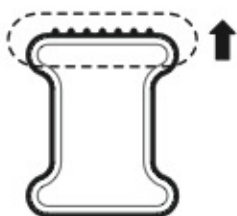
ATTENZIONE WARNING



Kargo series



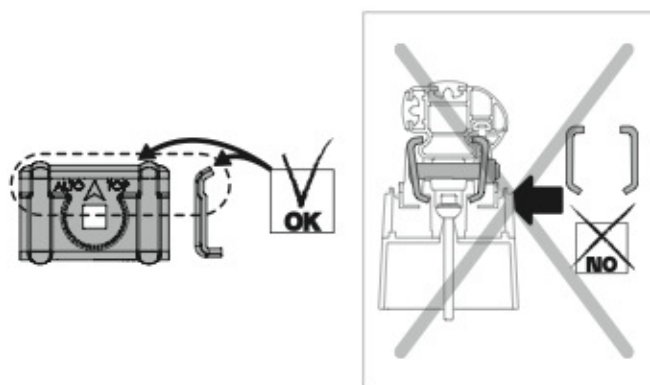
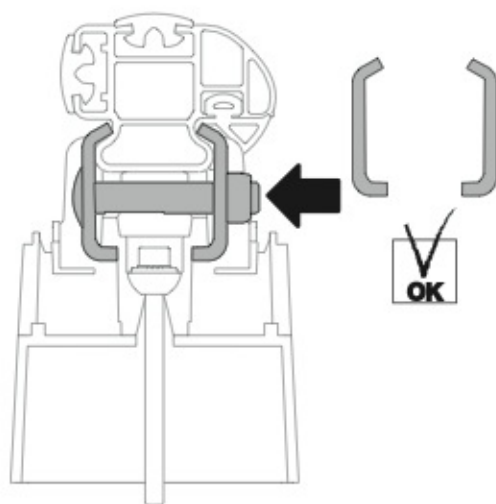
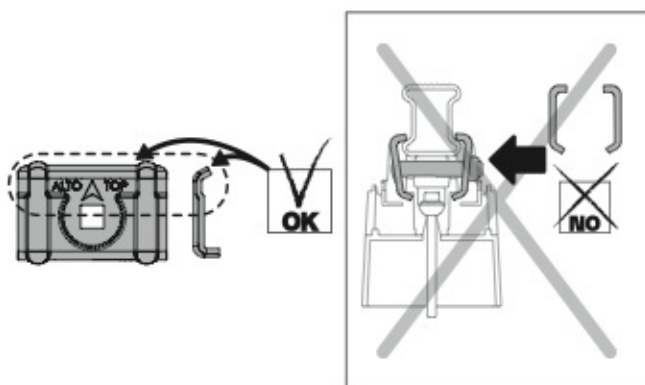
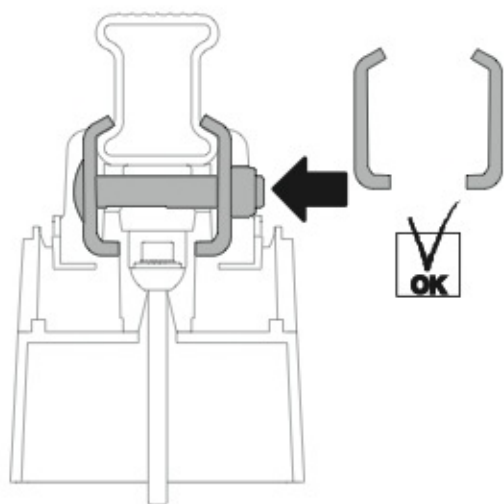
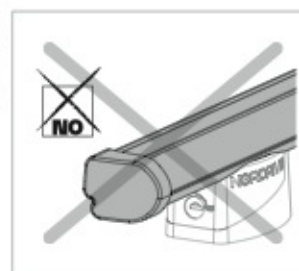
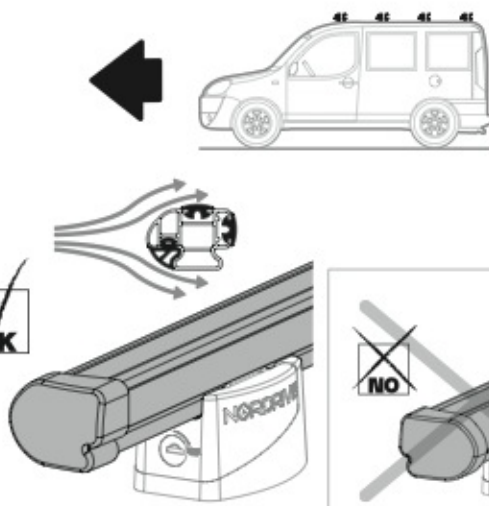
Acciaio / Steel



Kargo-Plus series



Alluminio / Aluminium

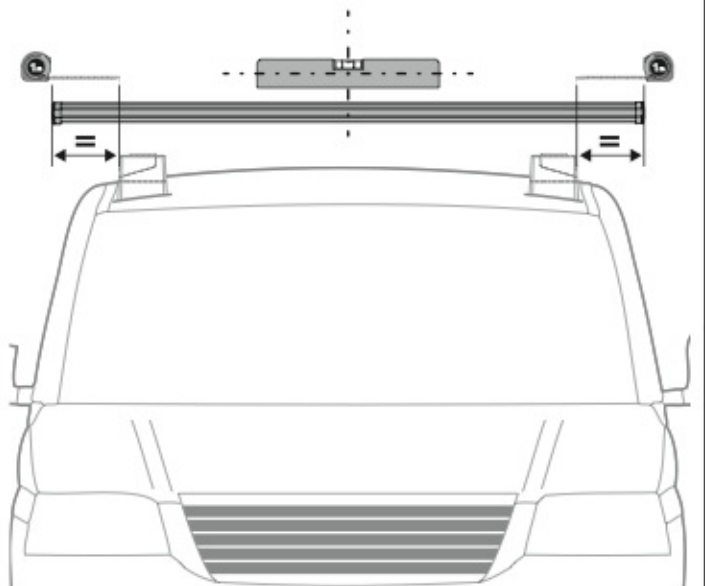


Kargo series



Acciaio / Steel

4

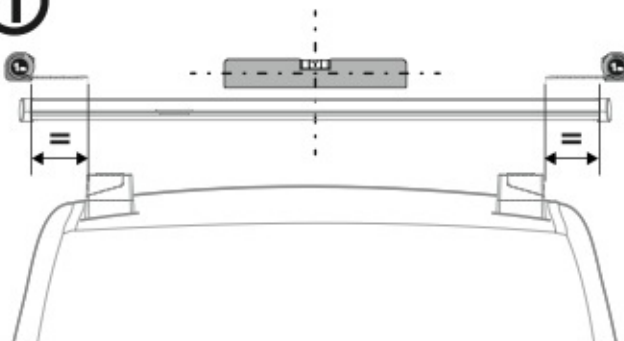


Kargo-Plus series

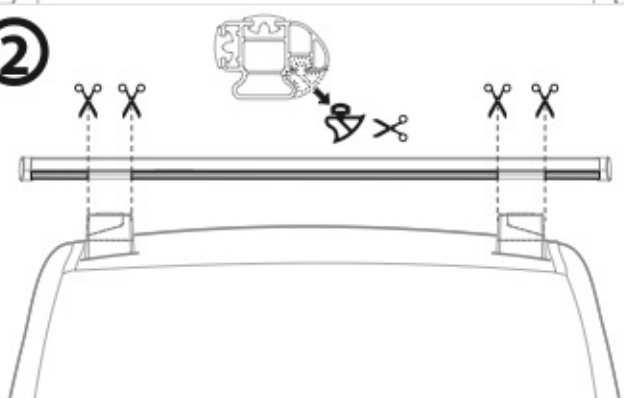


Alluminio / Aluminium

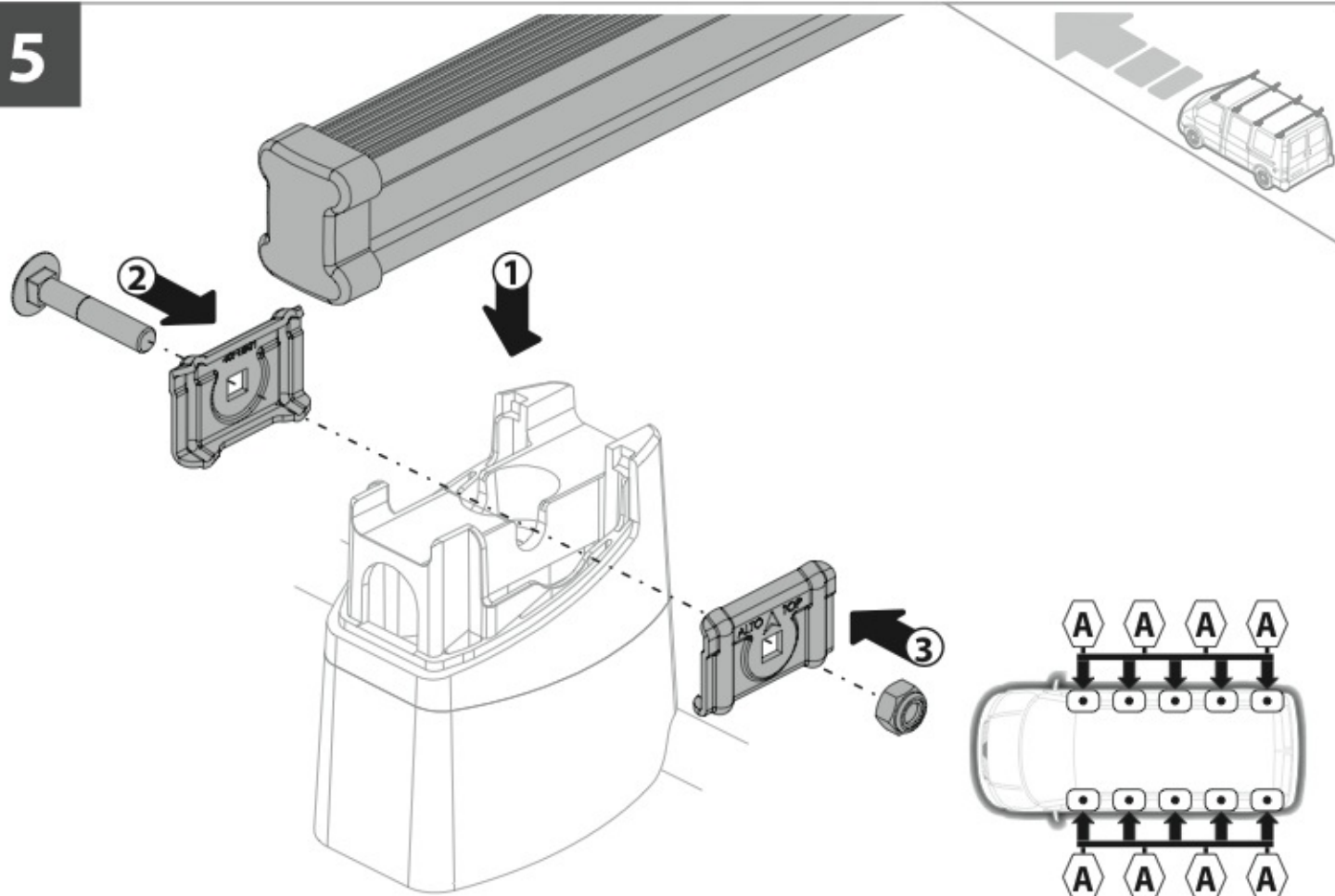
1



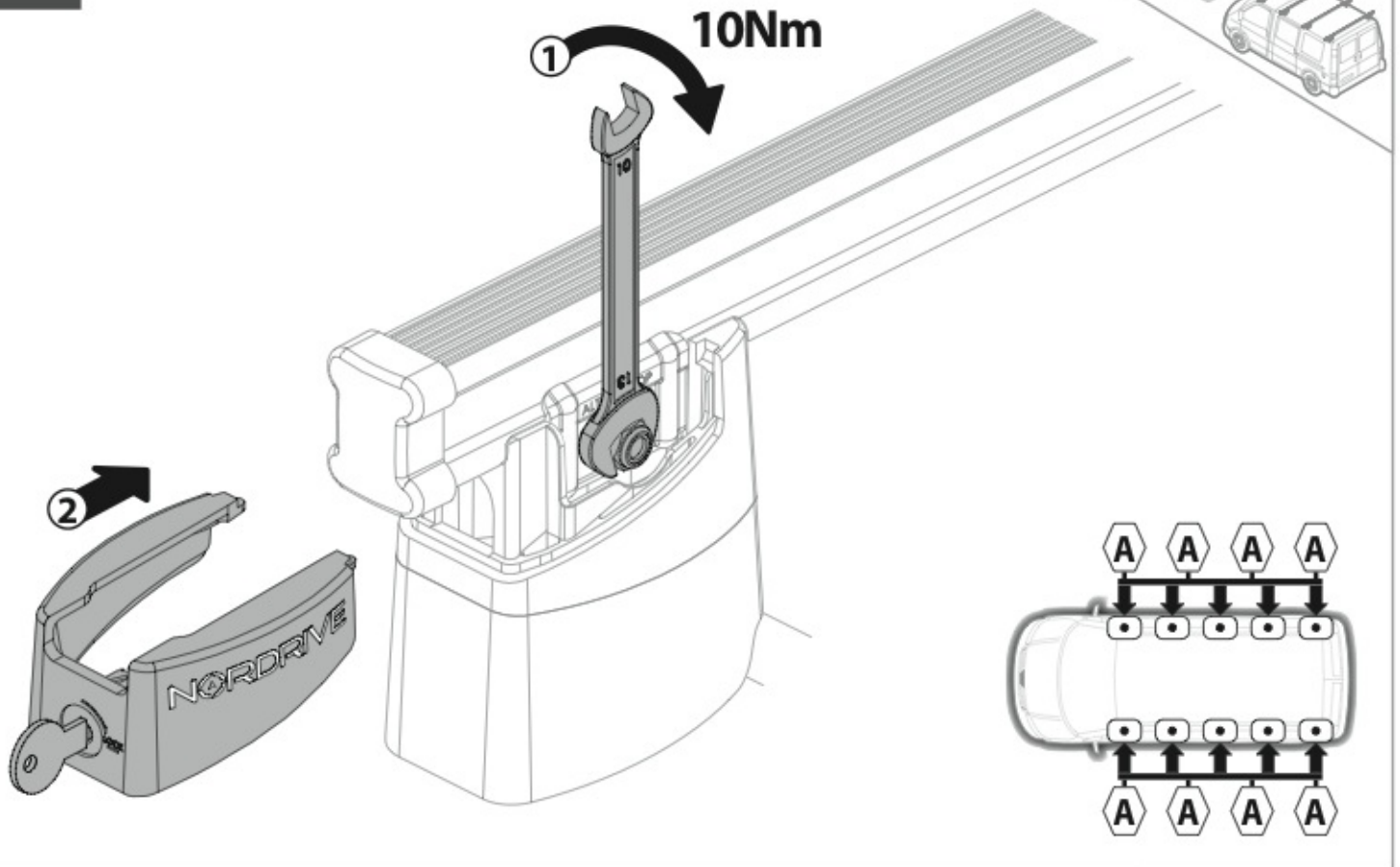
2



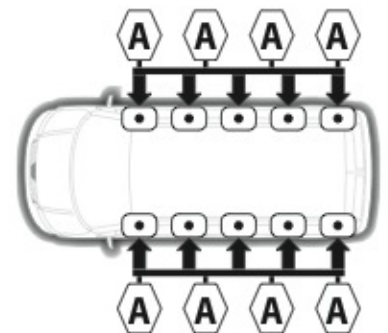
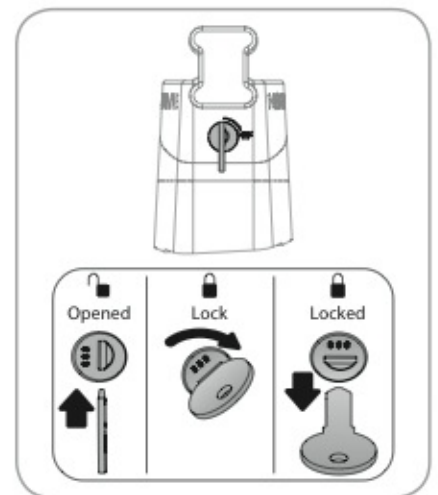
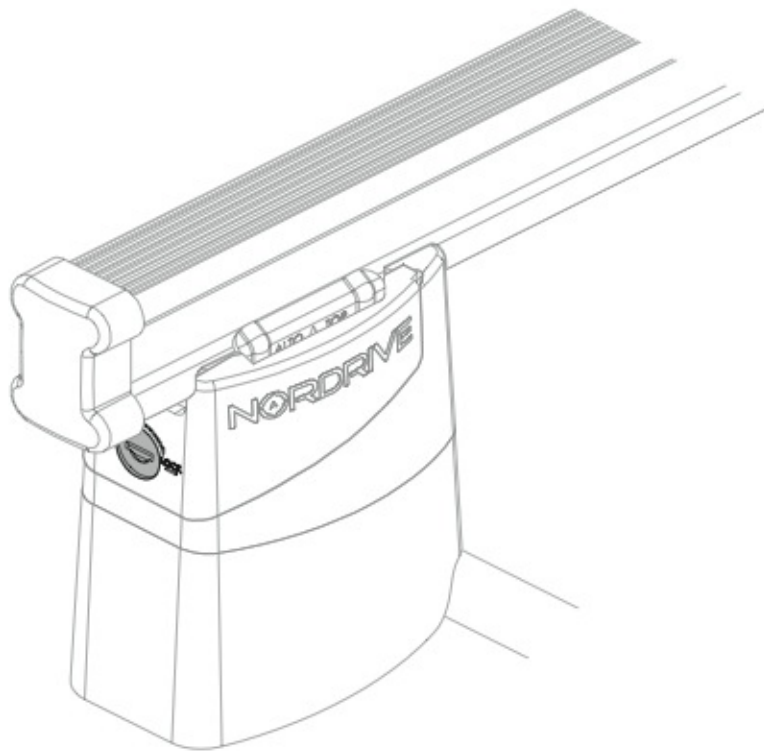
5



6



7



OPTIONALS

Kargo series

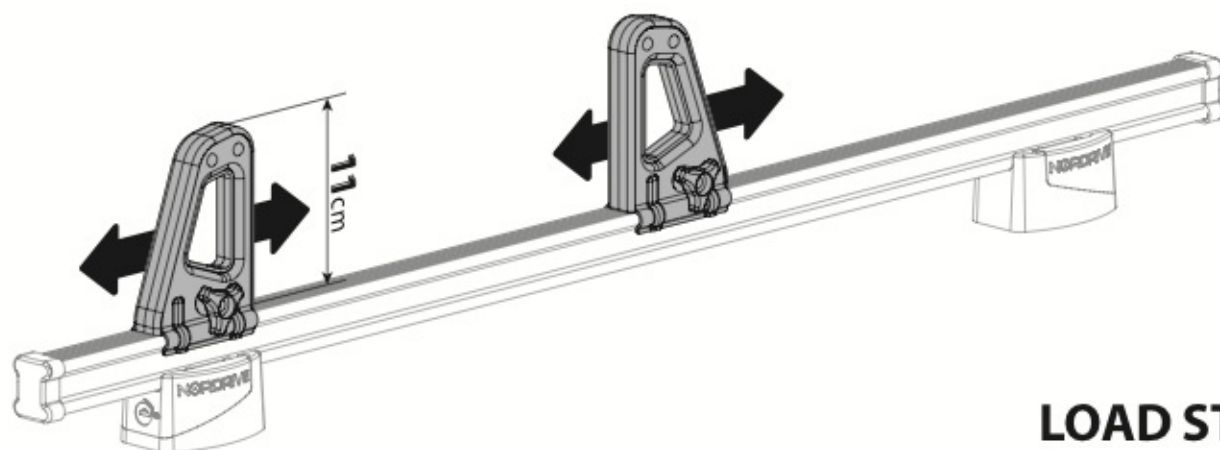


Acciaio / Steel



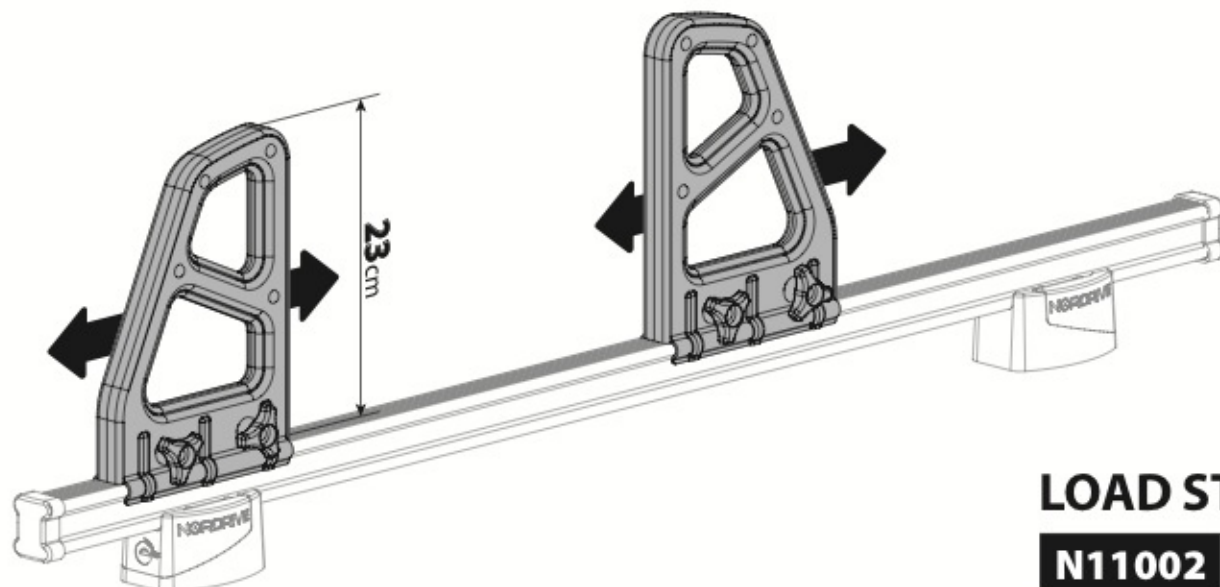
KARGO ROLLER

| | | |
|---------------|------------|-----------|
| N11000 | K-0 | L = 64 cm |
| N11003 | K-7 | L = 96 cm |



LOAD STOPS

N11001 K-1



LOAD STOPS

N11002 K-2

OPTIONALS

Kargo-Plus series



Alluminio / Aluminium



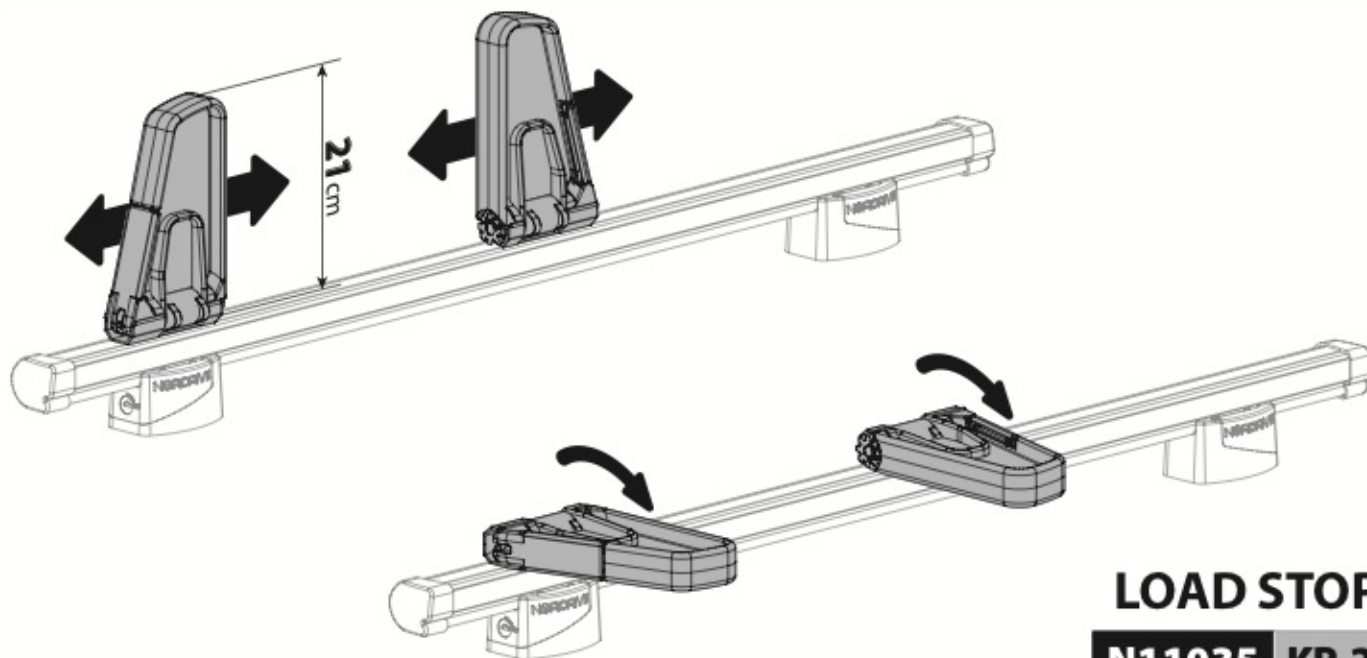
KARGO ROLLER

| | | |
|---------------|-------------|-----------|
| N11030 | KP-0 | L = 64 cm |
| N11034 | KP-7 | L = 96 cm |



LOAD STOPS

N11031 KP-1



LOAD STOPS

N11035 KP-20



EYE-BOLTS

N11033 KP-3

OPTIONALS

Kargo series



Acciaio / Steel

Kargo-Plus series



Alluminio / Aluminium

N11053

K-9



L = 95 cm

N11054

K-11



L = 110 cm

N11057

KP-9



L = 95 cm

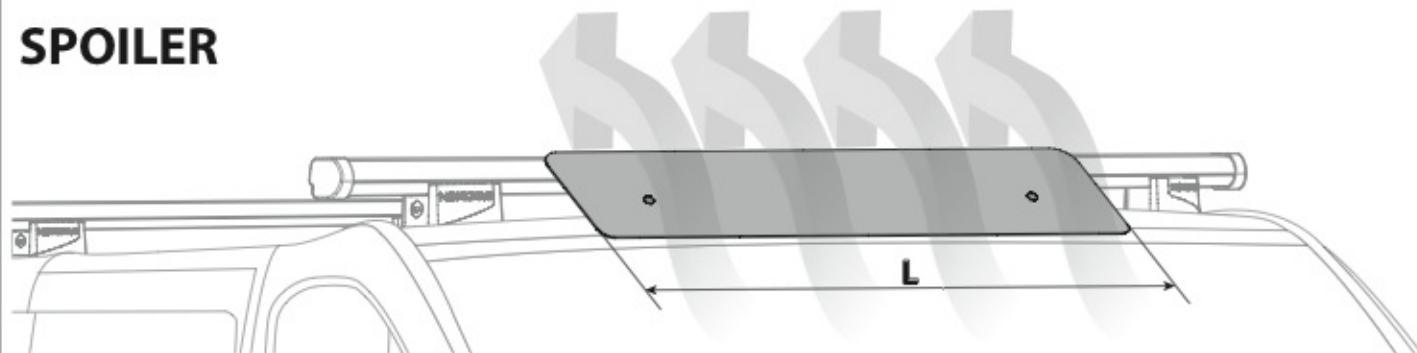
N11058

KP-11



L = 110 cm

SPOILER



LADDER HOLDER STRAPS

N11065

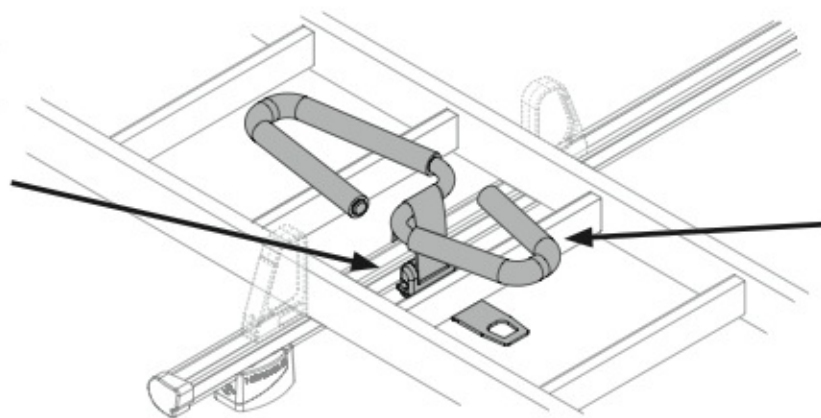
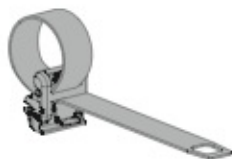
U-5



Acciaio
Steel



Alluminio
Aluminium



LADDER STEP ADAPTER

N11067

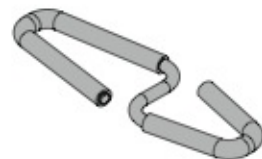
U-6



Acciaio
Steel



Alluminio
Aluminium



EXTENSION ROLLER

N11020

U-0

L = 64 cm

N11021

U-7

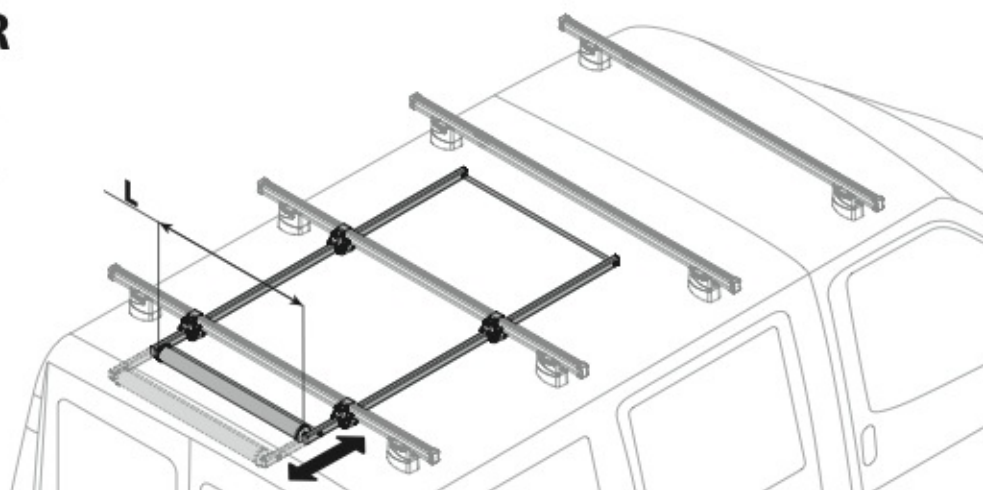
L = 96 cm



Acciaio
Steel



Alluminio
Aluminium



NORDRIVE[®]
TRANSPORT SOLUTIONS

is a registered trade mark of
LAMPA S.p.A.
46019 Viadana (MN) ITALY
Ditta certificata UNI EN ISO 9001:2008
www.nordrive.it
www.lampa.it

91CA0373 r00