

Art. **N30012**

**CITROËN BERLINGO**

2000  
05/96→03/08

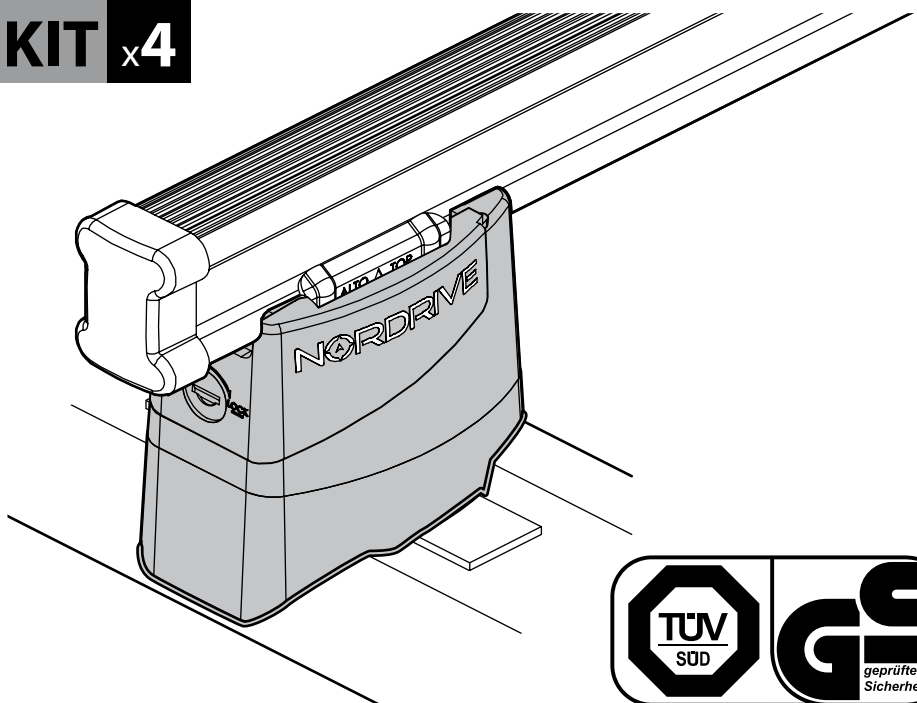
**PEUGEOT PARTNER**

2000  
05/96→03/08

**PEUGEOT RANCH**

2000  
05/96→03/08

**KIT x4**



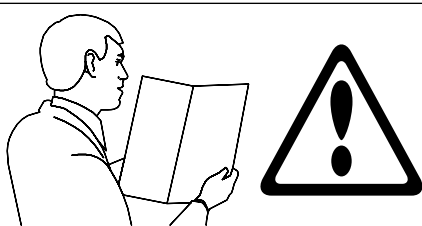
**SENZA VOLETTO  
WITHOUT ROOF  
WINDOWS**



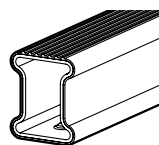
**CON VOLETTO  
WITH ROOF  
WINDOWS**

- Ⓛ ADATTO PER
- ⒸB SUITABLE FOR
- Ⓛ INDIQUÉ POUR
- Ⓓ GEEIGNET FÜR
- Ⓔ ADECUADA PARA

**NORDRIVE  
KARGO SERIES**



- Ⓛ ISTRUZIONI DI MONTAGGIO
- ⒸB FITTING INSTRUCTIONS
- Ⓓ MONTAGEANLEITUNG
- Ⓛ INSTRUCTIONS DE MONTAGE
- Ⓔ ISTRUCCIONES DE MONTAJE
- Ⓛ INSTRUÇÕES DE MONTAGEM
- ⒹL MONTAGE-INSTRUCTIES
- Ⓛ MONTERINGSANVISNING
- ⒹN ASENUSOHJE
- ⒺST PAIGALDUSJUHEND
- ⒹT STIPRINĀŠANAS INSTRUKCIJA
- ⒹT PRITVIRTINIMO INSTRUKCIJOS
- ⒹL INSTRUKCJA MONTAŻU
- ⒹS Инструкции по установке
- ⒹZ NÁVOD NA MONTÁŽ
- ⒹK NÁVOD NA MONTÁŽ
- ⒹLO NAVODILA ZA PRITRJEVANJE
- ⒹR UPUTA ZA SASTAVLJANJE
- ⒹH A FELSZERELÉS MÓDJA
- ⒹR Οδηγίες συναρμολόγησης
- ⒹR MONTAJ TALIMATLARIL
- ⒹG ИНСТРУКЦИИ ЗА МОНТАЖ
- ⒹRB UPUTSTVA ZA MONTAŽU

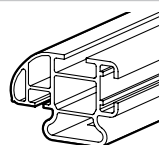


**Kargo**  
ACCIAIO  
Steel

- Ⓛ BARRE KARGO
- ⒸB KARGO BARS
- Ⓛ BARRES KARGO
- Ⓓ DACH-LASTENTRÄGER KARGO
- Ⓔ BARRES KARGO

135cm

Art. **N10005** x2

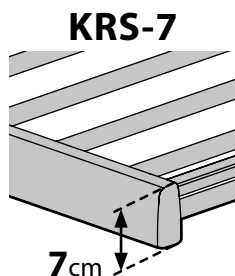


**Kargo-Plus**  
ALLUMINIO  
Aluminium

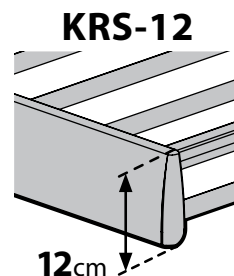
- Ⓛ BARRE KARGO-PLUS
- ⒸB KARGO-PLUS BARS
- Ⓛ BARRES KARGO-PLUS
- Ⓓ DACH-LASTENTRÄGER KARGO-PLUS
- Ⓔ BARRES KARGO-PLUS

135cm

Art. **N10035** x2



7cm

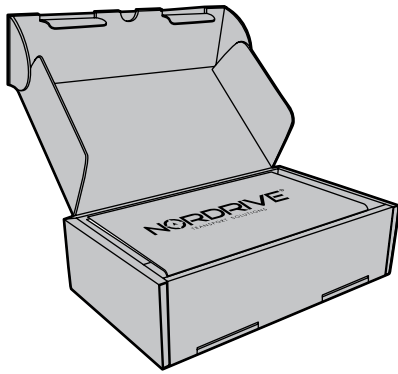


12cm

- Ⓛ CESTE PORTATUTTO KRS-7 / KRS-12
- ⒸB KRS-7 / KRS-12 VAN ROOF RACKS
- Ⓛ GALERIE KRS-7 / KRS-12
- Ⓓ DACHKÖRBEIN KRS-7 / KRS-12
- Ⓔ BACAS KRS-7 / KRS-12

**NORDRIVE**<sup>®</sup>

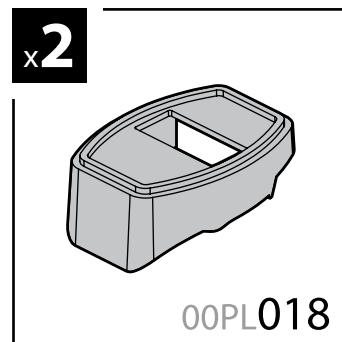
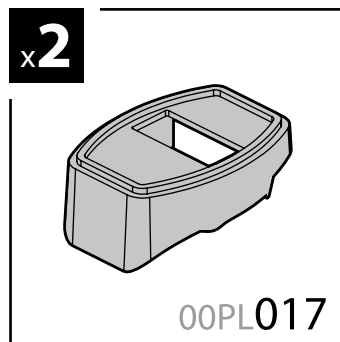
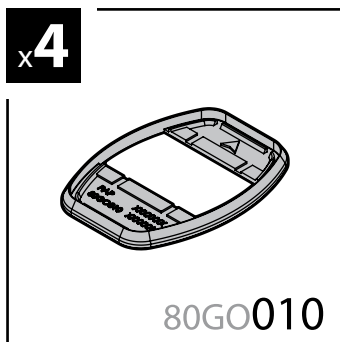
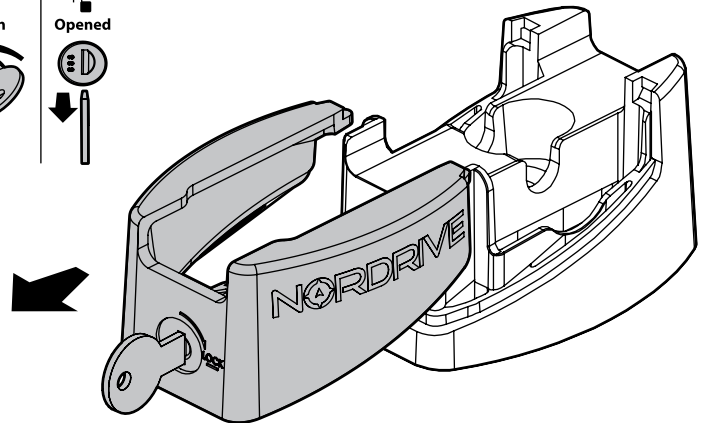
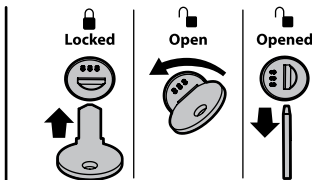
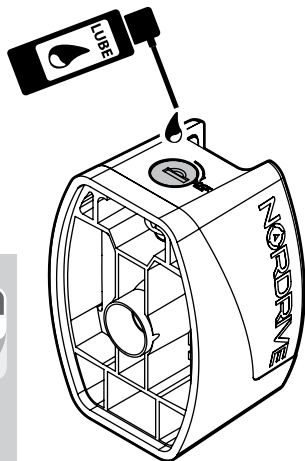
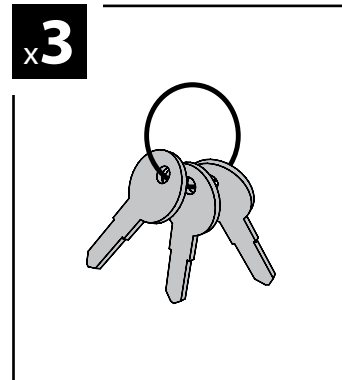
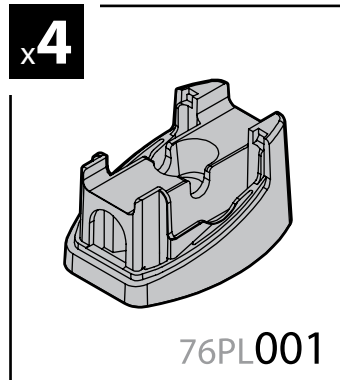
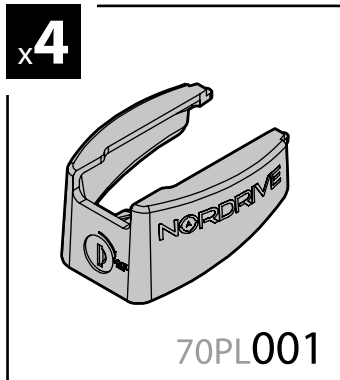
TRANSPORT SOLUTIONS



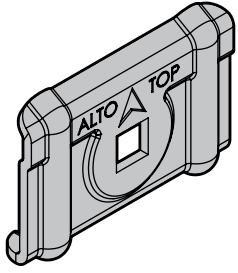
# NORDRIVE<sup>®</sup>

TRANSPORT SOLUTIONS

Art. **N30012**

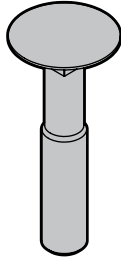


x8



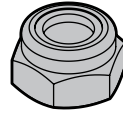
40FE001

x4



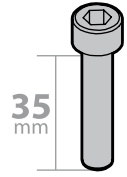
60BQ8045

x4



62BB0800

x4



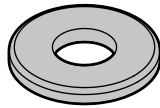
M6x35  
60CE6035

x4



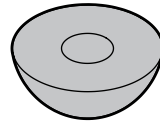
61ED0611

x4



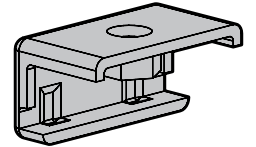
ø6 - ø15  
82FE0001

x4



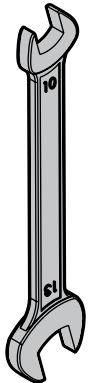
60RO004

x4



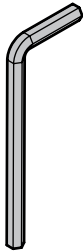
40FE002

x1

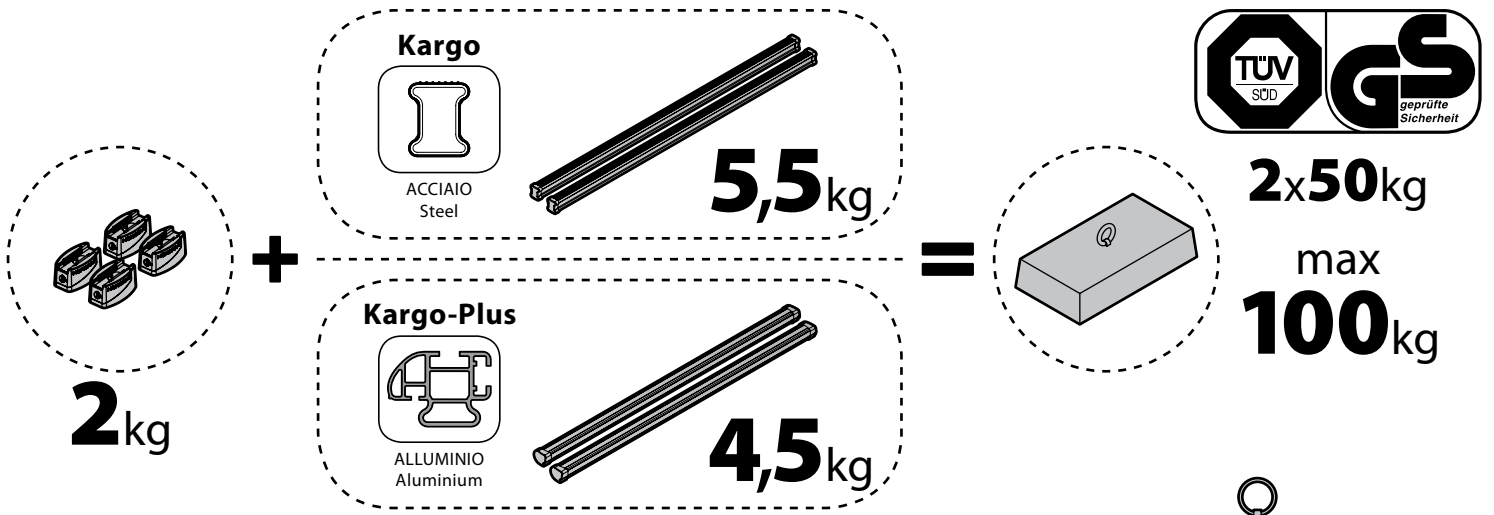


72FE0001

x1



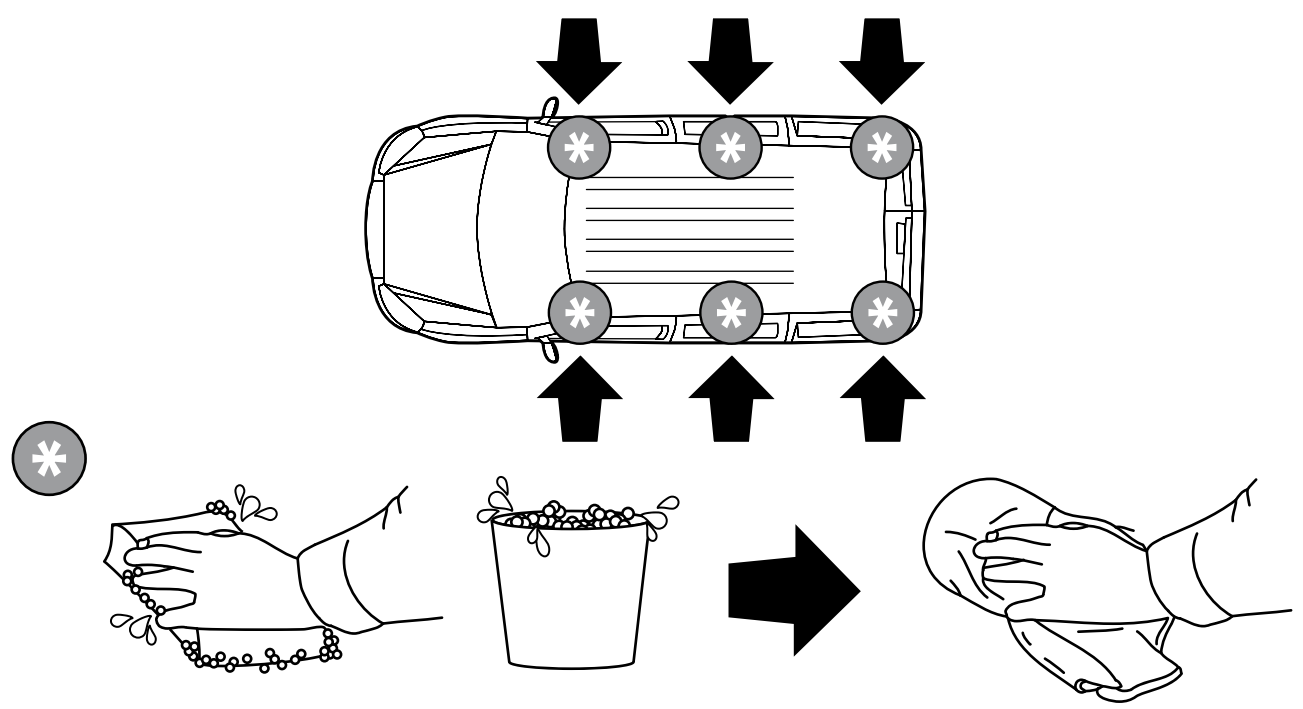
72FE0002



**SAFETY REGULATIONS**

**Norme di Sicurezza**

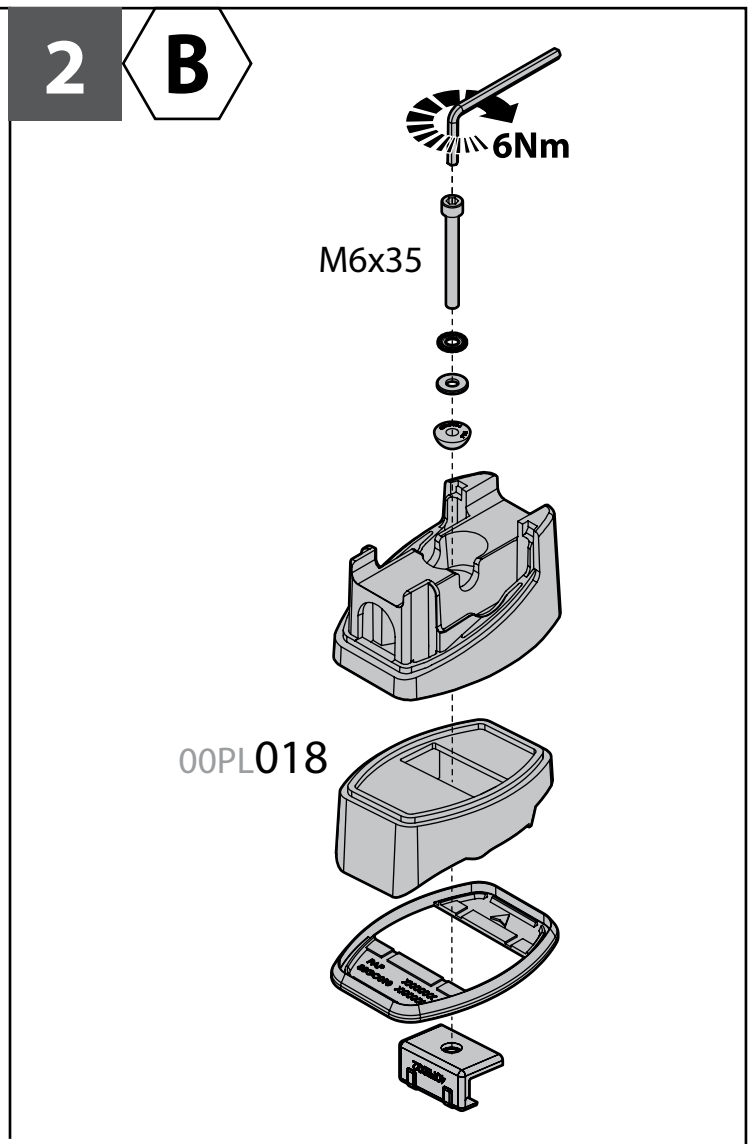
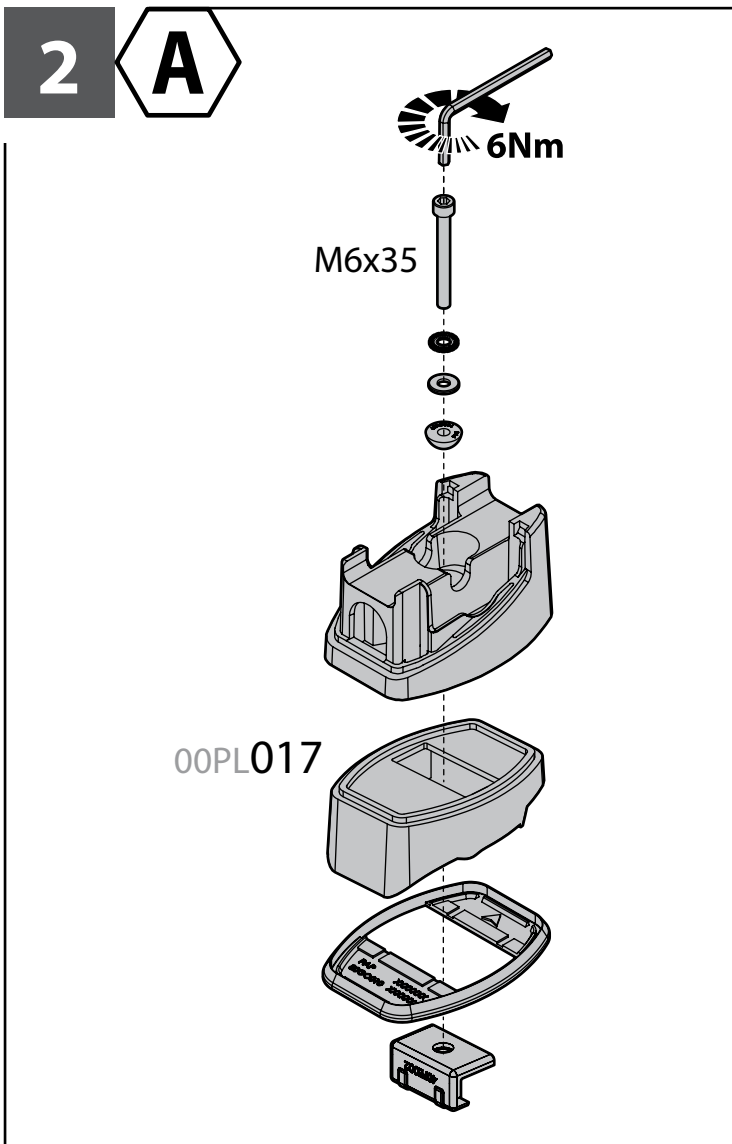
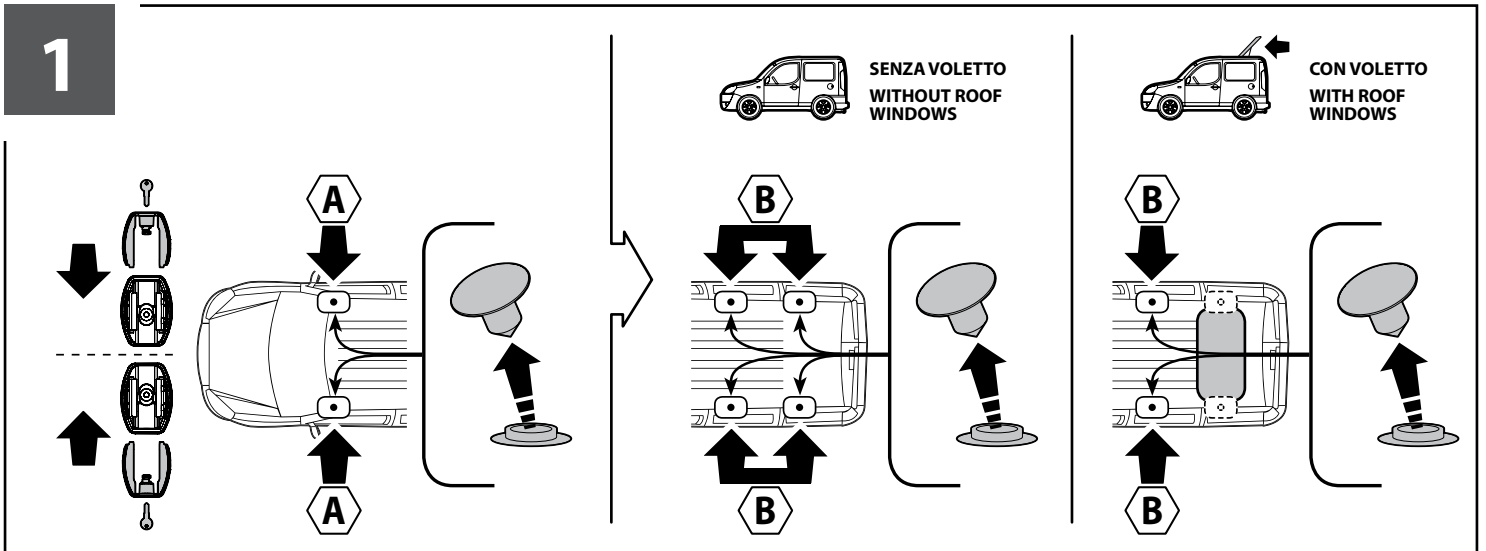
**Safety regulations**



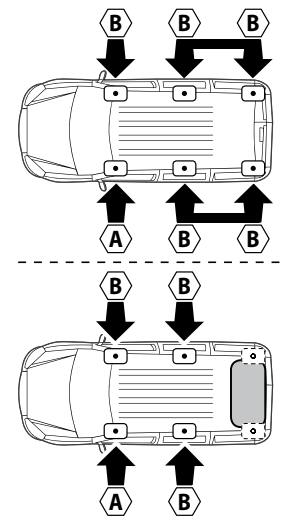
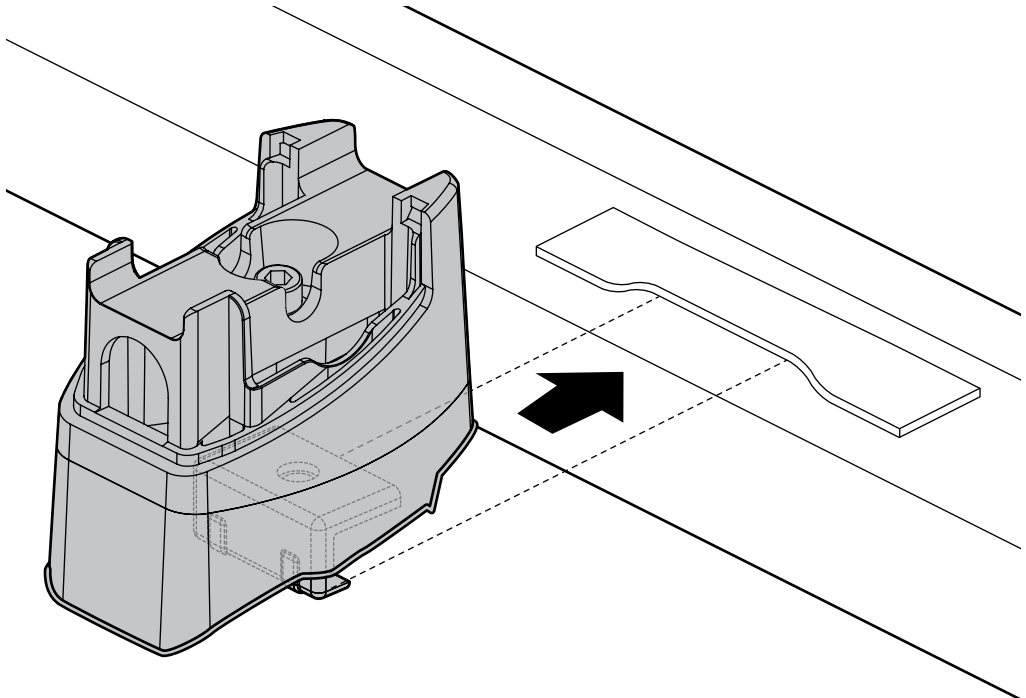
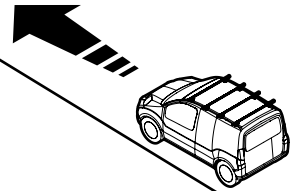
(I) ISTRUZIONI DI MONTAGGIO  
 (GB) FITTING INSTRUCTIONS  
 (D) MONTAGEANLEITUNG  
 (F) INSTRUCTIONS DE MONTAGE  
 (E) INSTRUCCIONES DE MONTAJE  
 (P) INSTRUÇÕES DE MONTAGEM  
 (NL) MONTAGE-INSTRUCTIES  
 (S) MONTERINGSANVISNING

(FIN) ASENNUSOHJE  
 (EST) PAIGALDUSJUHEND  
 (LAT) STIPRINĀŠANAS INSTRUKCIJA  
 (LT) PRITVIRTINIMO INSTRUKCIJOS  
 (PL) INSTRUKCJA MONTAŻU  
 (RUS) Инструкции по установке  
 (CZ) NÁVOD NA MONTÁŽ  
 (SK) NÁVOD NA MONTÁŽ

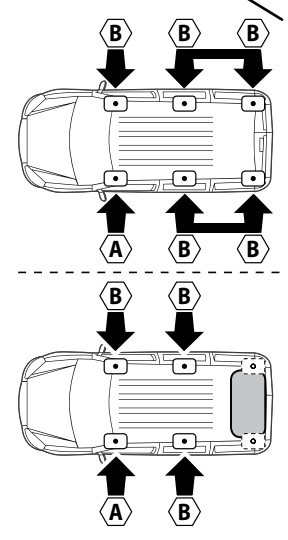
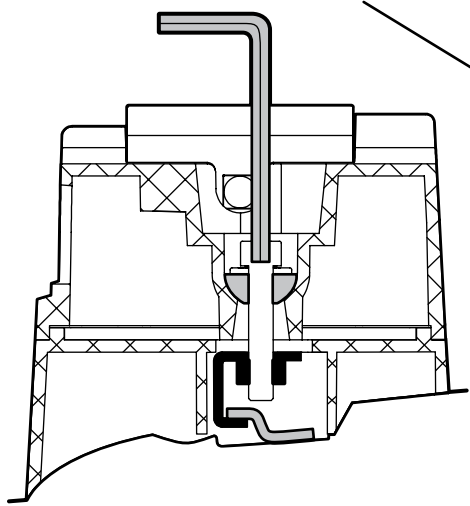
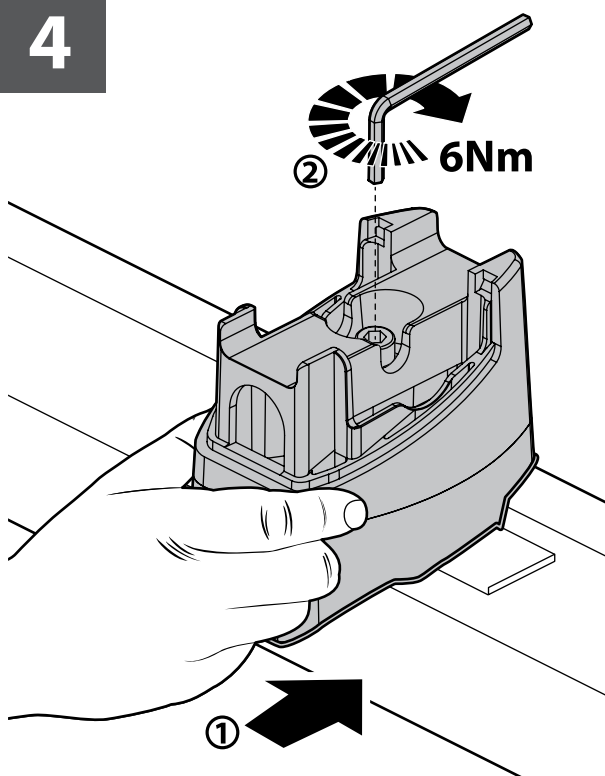
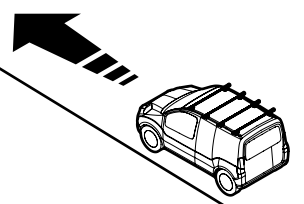
(SLO) NAVODILA ZA PRITRJEVANJE  
 (HR) UPUTA ZA SASTAVLJANJE  
 (H) A FELSZERELÉS MÓDJA  
 (GR) Οδηγίες συναρμολόγησης  
 (TR) MONTAJ TALIMATLARI  
 (BG) ИНСТРУКЦИИ ЗА МОНТАЖ  
 (SRB) UPUTSTVA ZA MONTAŽU



3



4





# ATTENZIONE WARNING



**A** **Kargo**  
 ACCIAIO  
 Steel

MONTAGGIO DIRETTO  
 SUI KIT PIEDI SPECIFICI  
 DIRECTLY ON FOOT KITS  
 BEFESTIGUNGSFÜSSE

**B** **Kargo-Plus**  
 ALLUMINIO  
 Aluminium

MONTAGGIO DIRETTO  
 SUI KIT PIEDI SPECIFICI  
 DIRECTLY ON FOOT KITS  
 BEFESTIGUNGSFÜSSE

**OK** ✓

**NO** ✗

**OK** ✓

**NO** ✗

**OK** ✓

**OK** ✓

**OK** ✓

**OK** ✓

**NO** ✗

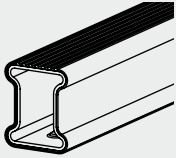
**NO** ✗

**NO** ✗


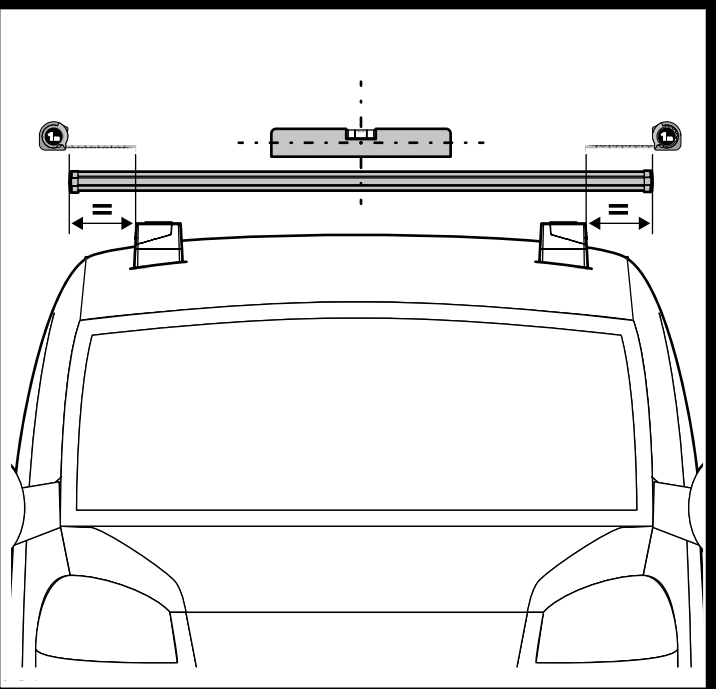
**NO** ✗

# 5

**A**



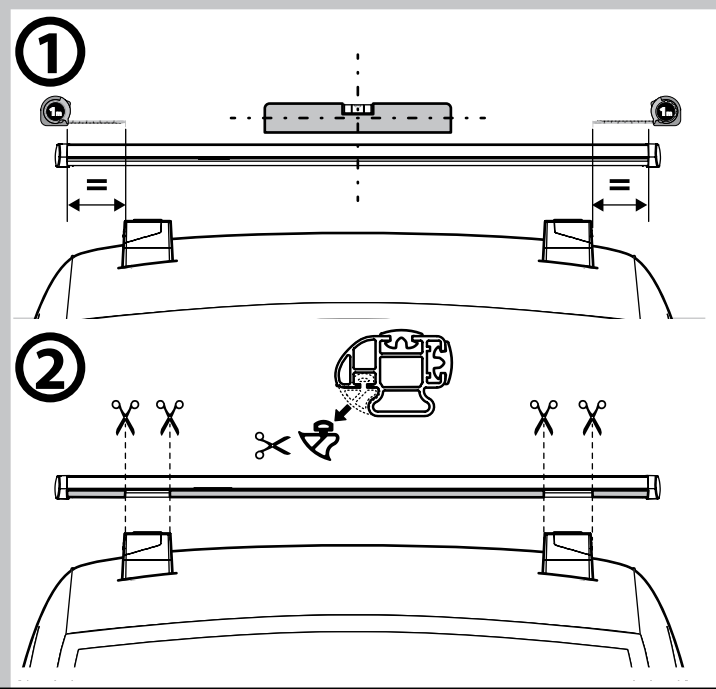
**Kargo**  
ACCIAIO  
Steel

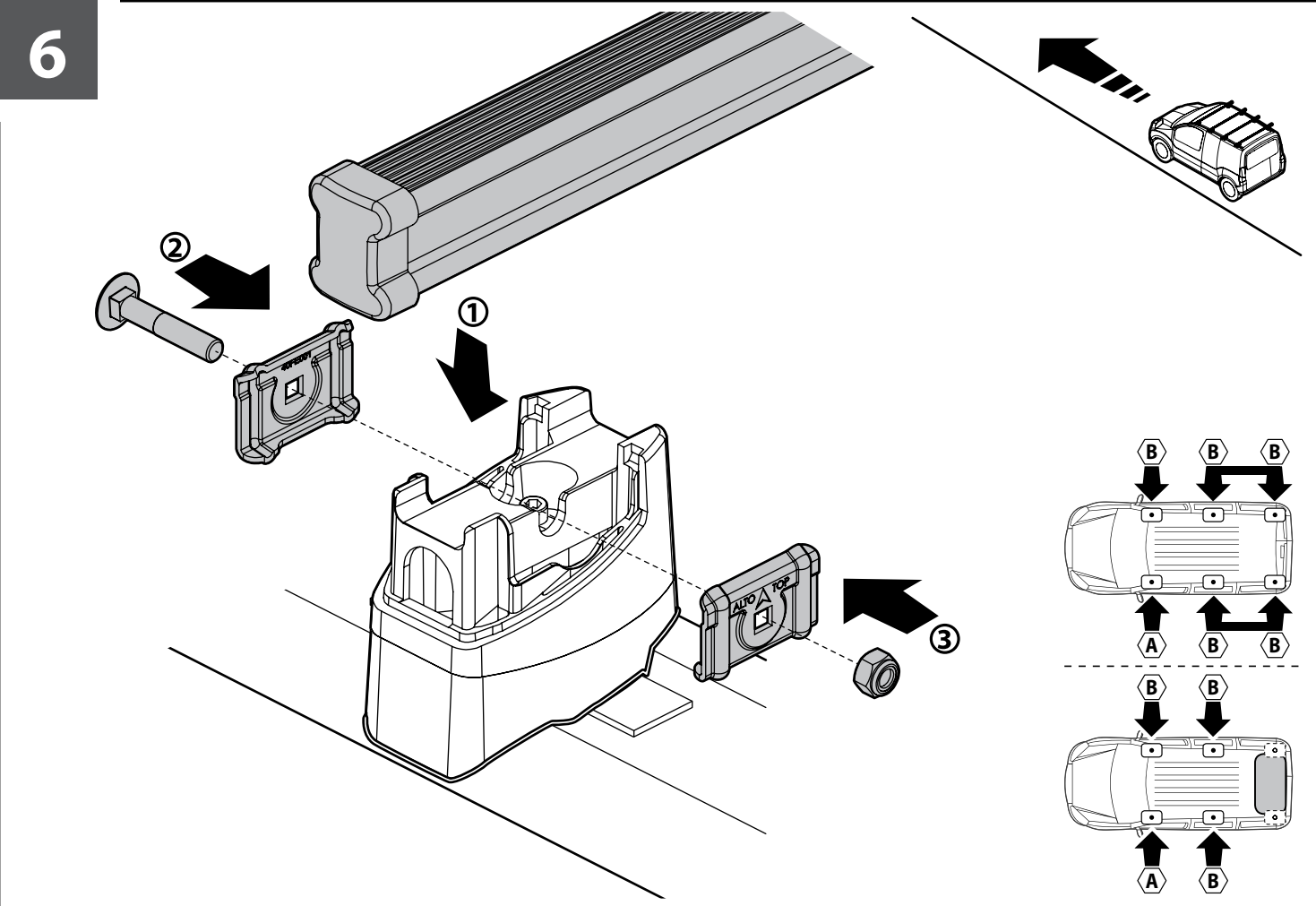
**B**



**Kargo-Plus**  
ALLUMINIO  
Aluminium

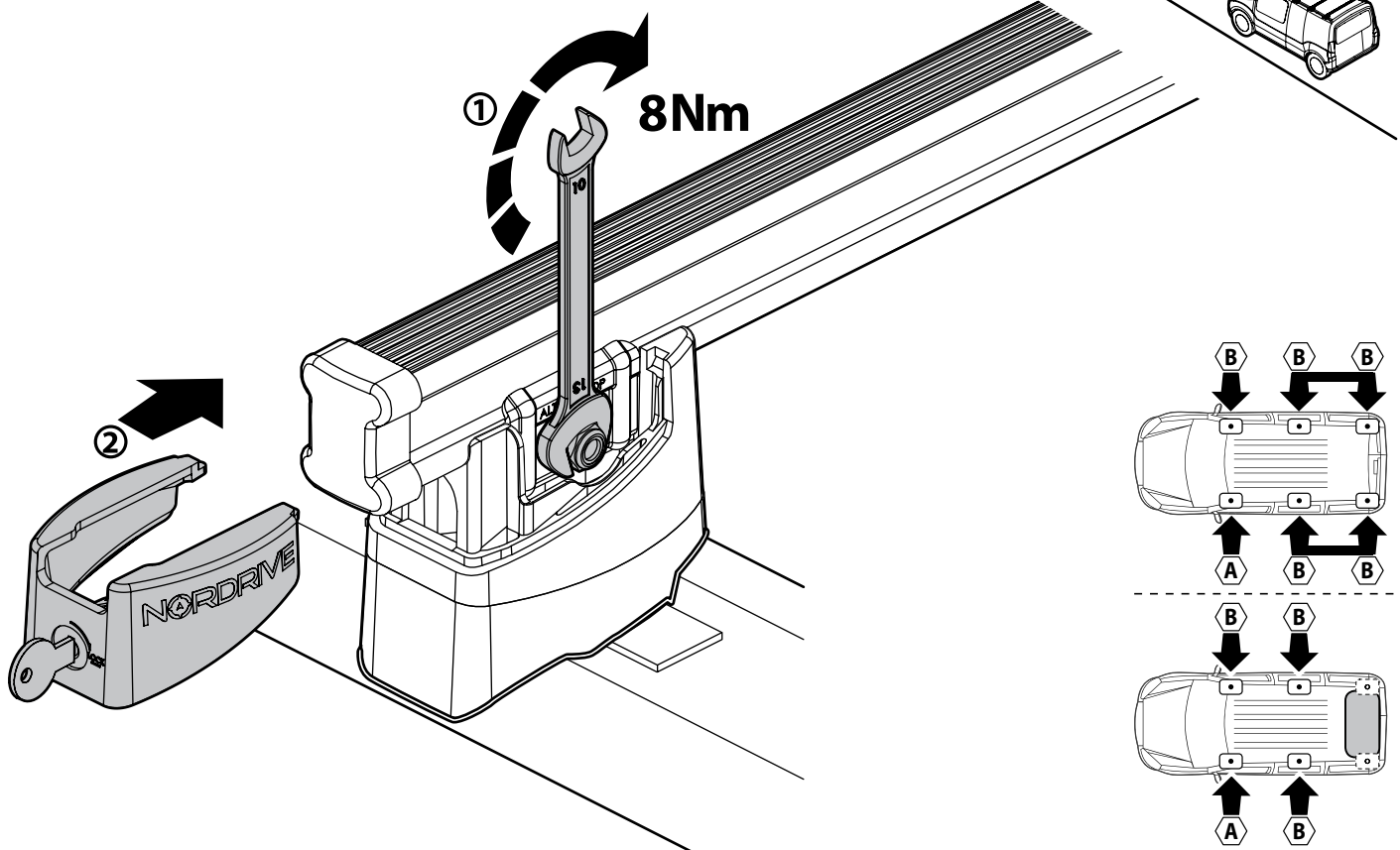



# 6

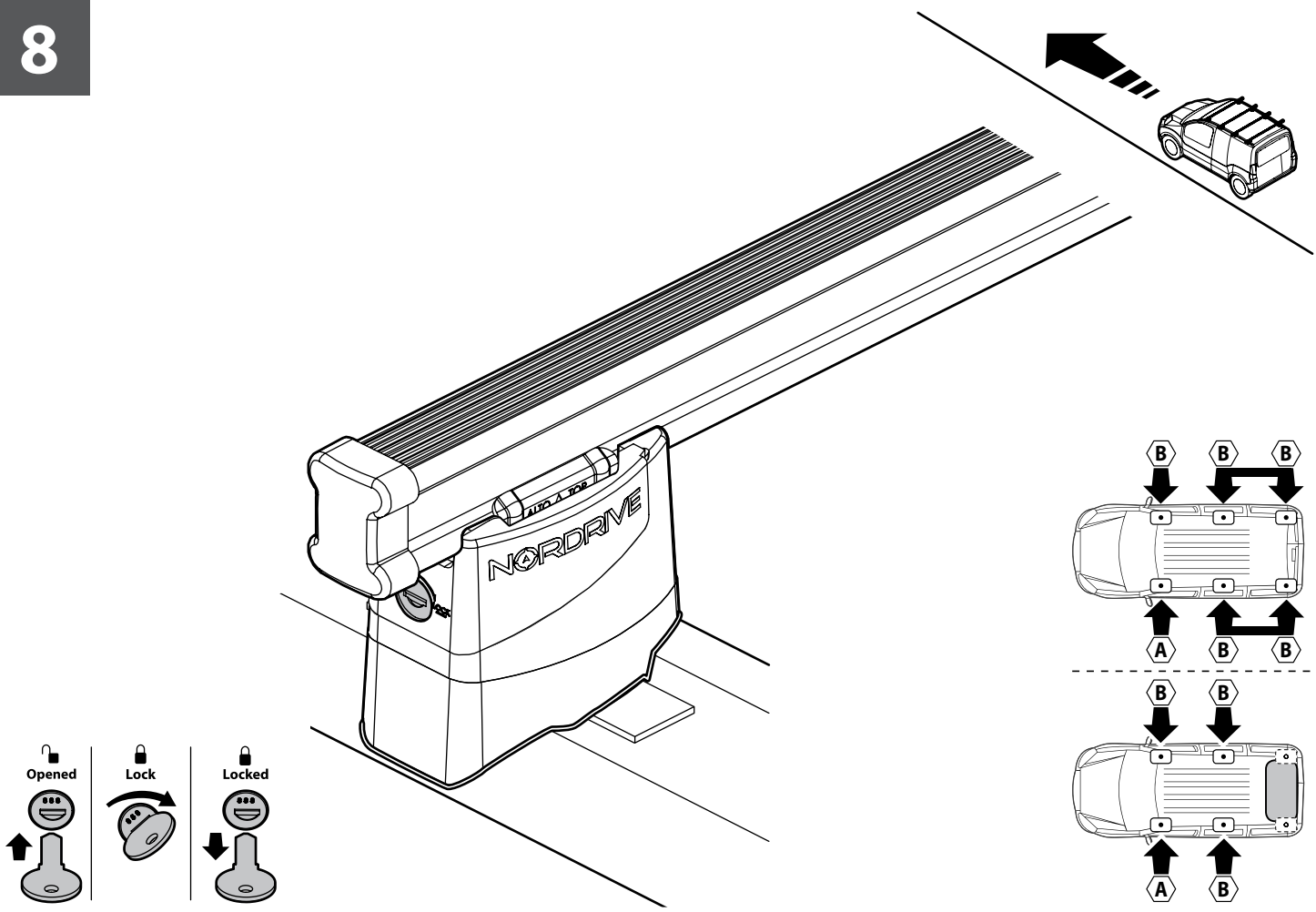




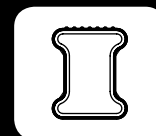
7



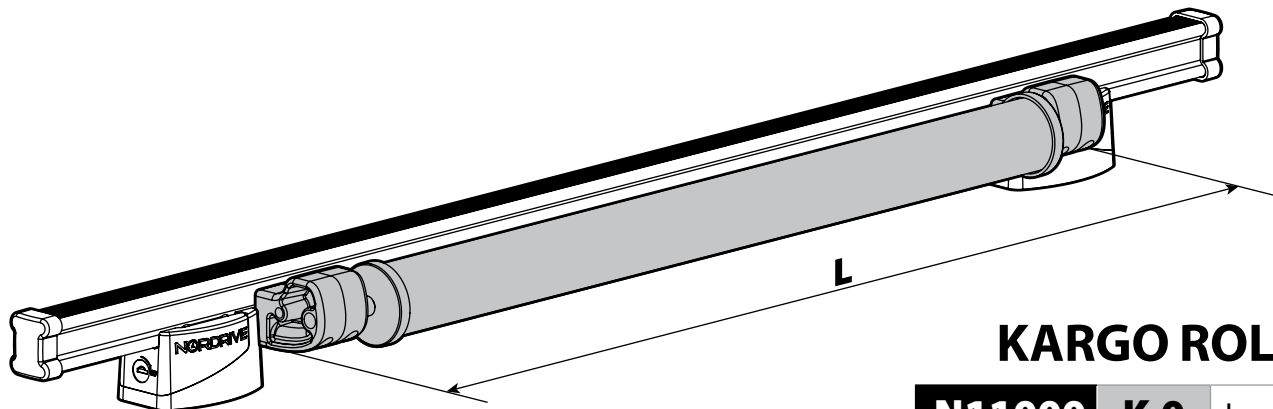
8



# Kargo series



Acciaio / Steel



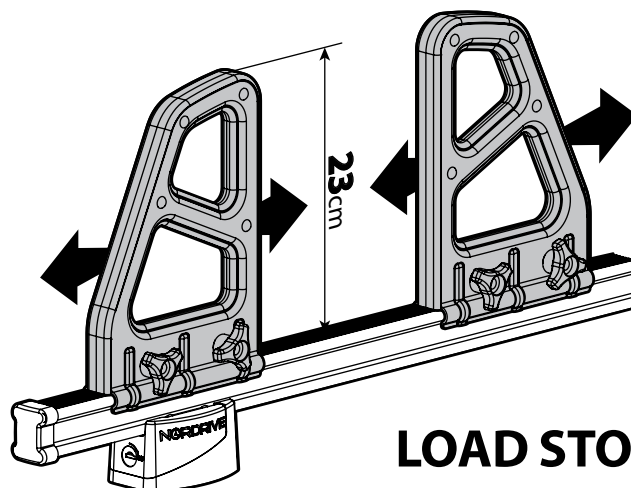
## KARGO ROLLER

<b>N11000</b>	<b>K-0</b>	L = 64 cm
<b>N11003</b>	<b>K-7</b>	L = 96 cm



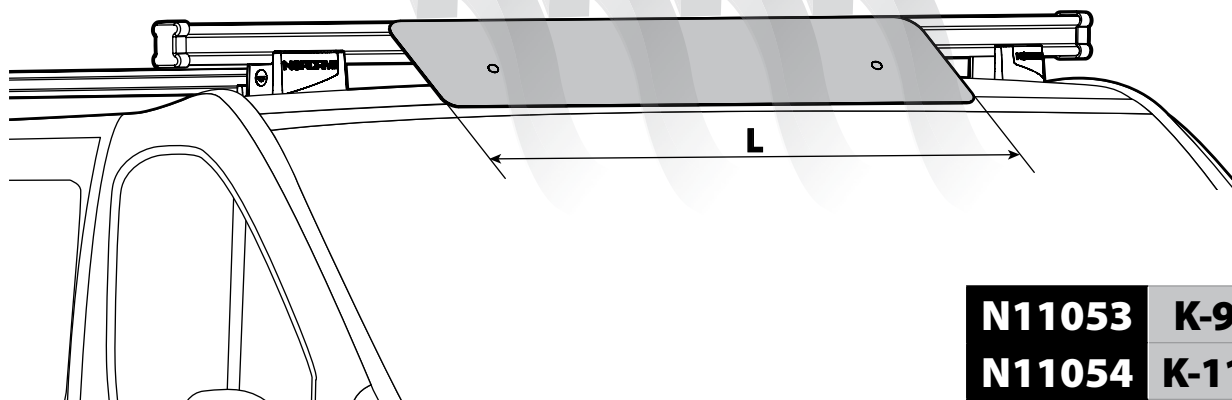
## LOAD STOPS

**N11001** K-1



## LOAD STOPS

**N11002** K-2

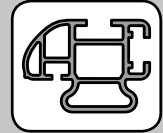


## SPOILER

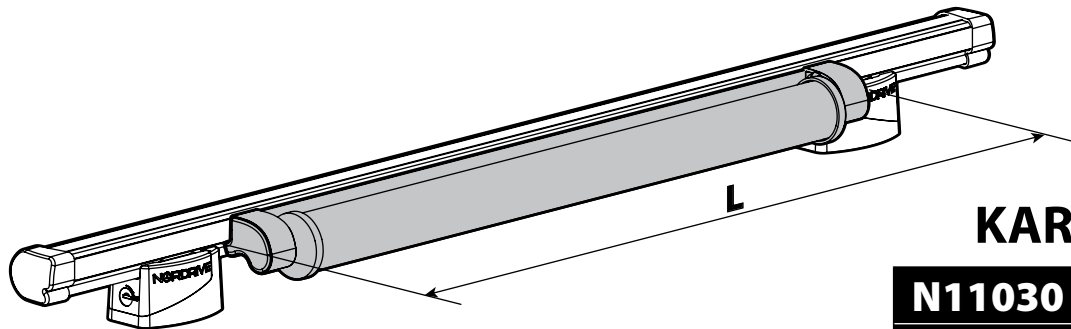
<b>N11053</b>	<b>K-9</b>	L = 95 cm
<b>N11054</b>	<b>K-11</b>	L = 110 cm

**OPTIONALS** PER / FOR / FÜR:

# Kargo-Plus series

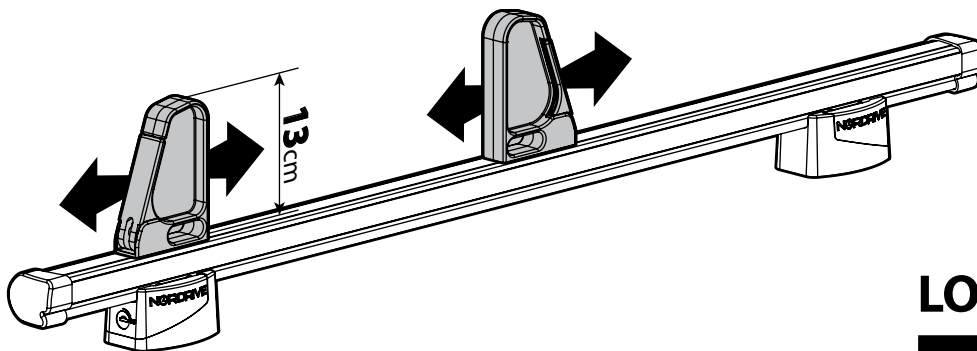


Alluminio / Aluminium



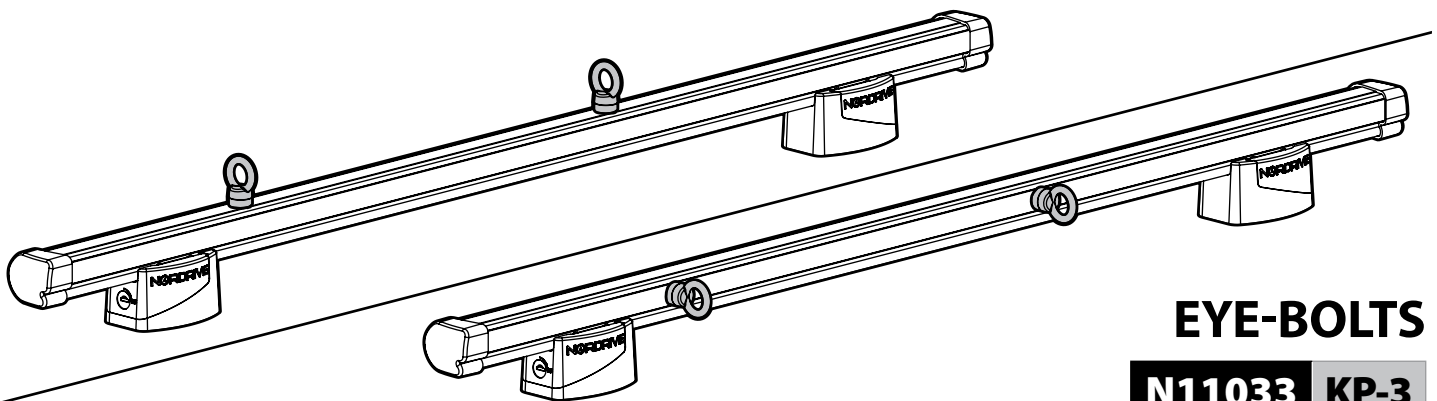
## KARGO ROLLER

<b>N11030</b>	<b>KP-0</b>	L = 64 cm
<b>N11034</b>	<b>KP-7</b>	L = 96 cm



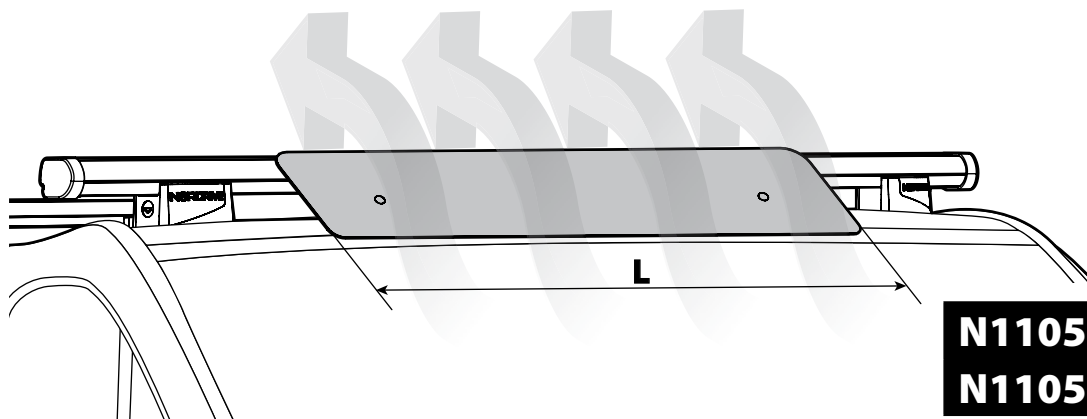
## LOAD STOPS

<b>N11031</b>	<b>KP-1</b>
---------------	-------------



## EYE-BOLTS

<b>N11033</b>	<b>KP-3</b>
---------------	-------------



## SPOILER

<b>N11057</b>	<b>KP-9</b>	L = 95 cm
<b>N11058</b>	<b>KP-11</b>	L = 110 cm

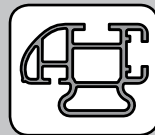
**OPTIONALS** PER / FOR / FÜR:

**Kargo** series



Acciaio / Steel

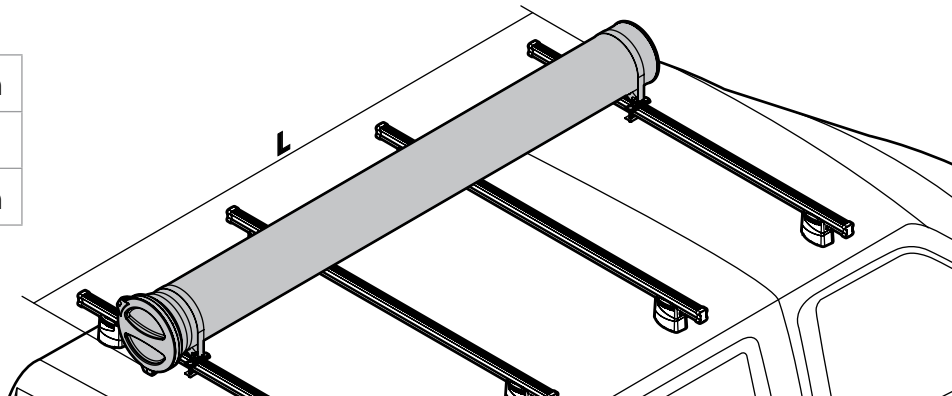
**Kargo-Plus** series



Alluminio / Aluminium

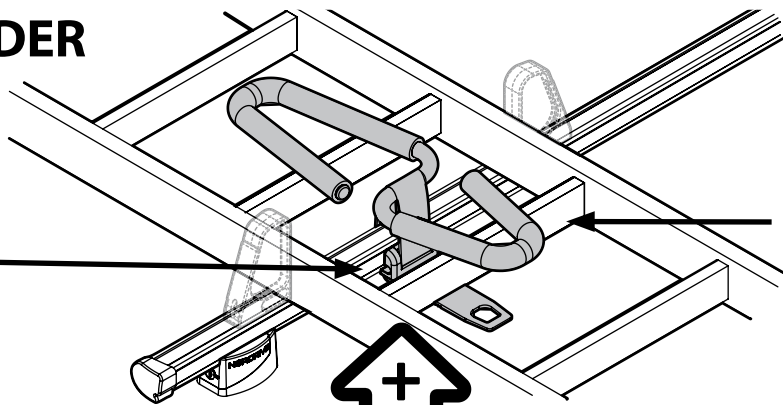
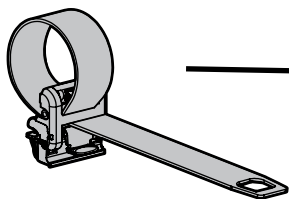
**KARGO-TUBE**

<b>N11050</b>	<b>T200</b>	L = 205 cm
<b>N11051</b>	<b>T300</b>	L = 305 cm
<b>N11052</b>	<b>T400</b>	L = 405 cm



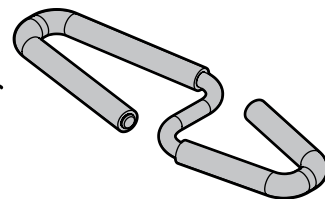
**LADDER HOLDER STRAPS**

**N11065 U-5**

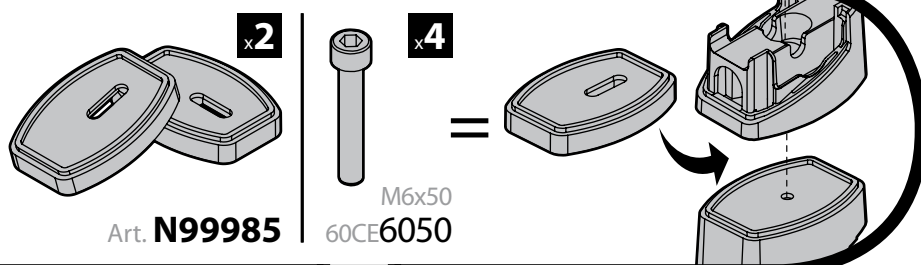


**LADDER STEP ADAPTER**

**N11067 U-6**

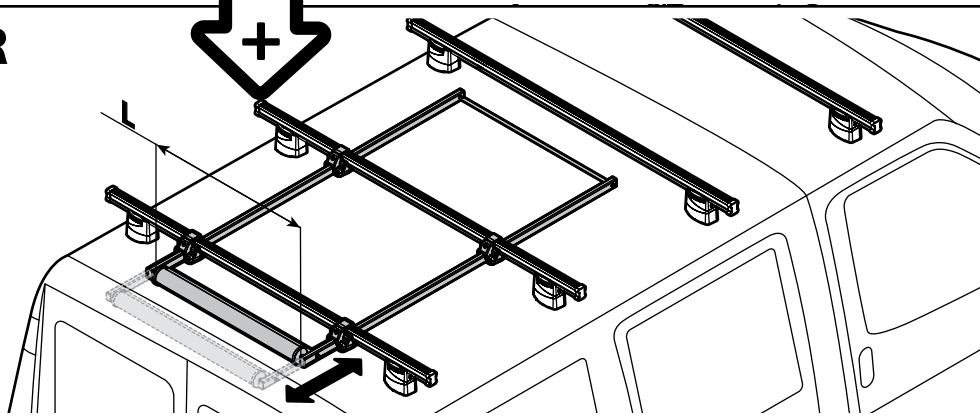


RICHIESTO  
REQUIRED  
REQUIS  
ERFORDERLICH  
NECESSARIO



**EXTENSION ROLLER**

<b>N11020</b>	<b>U-0</b>	L = 64 cm
<b>N11021</b>	<b>U-7</b>	L = 96 cm



- (I) Lotto di produzione da comunicare per eventuali ricambi
- (GB) Production lot number to be communicated for any spare parts
- (F) Lot de production à communiquer pour toute pièce de rechange
- (D) Produktionscharge für eventuelle Ersatzteile
- (E) Lote de producción a comunicar por cualquier repuesto

**Lot.**

**NORDRIVE®**  
TRANSPORT SOLUTIONS

NORDRIVE® is a registered trademark of  
**LAMPA S.p.A.**  
Via G. Rossa 53/55, 46019 Viadana (MN) ITALY  
Tel. +39 0375 820700  
UNI EN ISO 9001:2008 Certified Company  
[www.nordrive.it](http://www.nordrive.it)  
[www.lampa.it](http://www.lampa.it)